

BRINKMANN®

ProSeries™

8445

Heavy-Duty Gas Grill
Parrilla de Gas de
Alta Resistencia

OWNER'S MANUAL / MANUAL DEL PROPIETARIO

ASSEMBLY AND OPERATING INSTRUCTIONS
INSTRUCCIONES DE ARMADO Y OPERACIÓN

SAVE THIS MANUAL FOR FUTURE REFERENCE
GUARDE ESTE MANUAL PARA REFERENCIA FUTURA

NOTICE TO INSTALLER:

LEAVE THESE INSTRUCTIONS
WITH THE GRILL OWNER FOR
FUTURE REFERENCE.

AVISO PARA EL INSTALADOR:

ENTREGUE ESTAS
INSTRUCCIONES AL
PROPIETARIO DE LA PARRILLA
PARA REFERENCIA FUTURA.

⚠ WARNING/ADVERTENCIA


HAZARDOUS EXPLOSION MAY RESULT IF THESE WARNINGS AND INSTRUCTIONS
ARE IGNORED. READ AND FOLLOW ALL WARNINGS AND INSTRUCTIONS IN THIS
MANUAL TO AVOID PERSONAL INJURY, INCLUDING DEATH OR PROPERTY DAMAGE.

SE PUEDE PRODUCIR UNA EXPLOSIÓN PELIGROSA SI SE HACE CASO OMISO A
ESTAS ADVERTENCIAS E INSTRUCCIONES. LEA Y SIGA TODAS LAS ADVERTENCIAS
E INSTRUCCIONES EN ESTE MANUAL PARA EVITAR LESIONES PERSONALES,
INCLUSO LA MUERTE, O LOS DAÑOS MATERIALES.





IMPORTANT SAFETY WARNINGS

WE WANT YOU TO ASSEMBLE AND USE YOUR GRILL AS SAFELY AS POSSIBLE. THE PURPOSE OF THIS SAFETY ALERT SYMBOL  IS TO ATTRACT YOUR ATTENTION TO POSSIBLE HAZARDS AS YOU ASSEMBLE AND USE YOUR GRILL.

WHEN YOU SEE THE SAFETY ALERT SYMBOL  PAY CLOSE ATTENTION TO THE INFORMATION WHICH FOLLOWS!

 READ ALL SAFETY WARNINGS AND INSTRUCTIONS CAREFULLY BEFORE ASSEMBLING AND OPERATING YOUR GRILL.

DANGER

IF YOU SMELL GAS:

1. Shut off gas to the appliance.
2. Extinguish any open flame.
3. Open Lid.
4. If odor continues, keep away from the appliance and immediately call your gas supplier or your fire department.

WARNING

1. DO NOT store or use gasoline or other flammable liquids or vapors in the vicinity of this or any other appliance.
2. An LP cylinder not connected for use shall not be stored in the vicinity of this or any other appliance.

DANGER



- DO NOT store a spare LP gas cylinder under or near this appliance.
- Never fill the cylinder beyond 80% full.
- A fire causing death or serious injury may occur if the above is not followed exactly.

TABLE OF CONTENTS

General Warnings	3
Installation and LP Cylinder Specifications and Safe Use.	4–6
Connecting LP Cylinder and Hose / Regulator to Grill	6–7
Leak Testing.	8–9
Pre-start Check List	9
Lighting Instructions	10–11
Operating Grill and Helpful Hints	12–14
Proper Care and Maintenance	14–16
Transporting and Storage	16–17
Trouble Shooting	17
Frequently Asked Questions	18–19
Parts List and Assembly Instructions.	20–32
Warranty Information.	Back Cover

⚠ DANGER: Indicates an imminently hazardous situation which, if not avoided, will result in death or serious injury.

⚠ WARNING: Be alert to the possibility of serious bodily injury if the instructions are not followed. Be sure to read and carefully follow all of the messages.

⚠ CAUTION: Indicates a potentially hazardous situation which, if not avoided, may result in minor or moderate injury.

FOR COVERS, ACCESSORIES AND OTHER PRODUCTS, PLEASE VISIT US ONLINE AT:

www.brinkmann.net


FOR GRILL WARRANTY REPLACEMENT PARTS, PLEASE VISIT US AT:

www.grillpartsonline.com

GENERAL WARNINGS

WARNING

- Never use natural gas in a unit designed for liquid propane gas.
- Never use charcoal or wood briquets in a gas grill. Flavoring chips must be contained in a metal smoking box to contain ash and prevent fires.
- Leak test all connections before first use, even if grill was purchased fully assembled and after each tank refill.
- Never check for leaks using a match or open flame.

 **CAUTION:** Strong odors, colds, sinus congestion, etc. may prevent the detection of propane. Use caution and common sense when testing for leaks.

- Always keep your gas grill free and clear of gasoline, lighter fluid, paint thinner, or other flammable vapors and liquids or combustible materials.
- Always check the grill prior to each use as indicated in the "Pre-Start Check List" section of this manual.
- DO NOT obstruct the flow of combustion or ventilation air.
- Never place more than 15 pounds on the side burner. DO NOT lean on the side burner shelf.
- Keep children and pets away from hot grill. DO NOT allow children to use or play near this grill.
- DO NOT leave the grill unattended while in use.
- DO NOT allow the gas hose to come in contact with hot surfaces.
- DO NOT allow grease from drain hole to fall on hose or valve regulator assembly.
- Keep any electrical supply cords away from water or heated surfaces.
- Keep a fire extinguisher on hand acceptable for use with gas products. Refer to your local authority to determine proper size and type.
- For household use only. DO NOT use this grill for anything other than its intended purpose.
- DO NOT use while under the influence of drugs or alcohol.
- Grill is hot when in use. To avoid burns:
 - DO NOT attempt to move the grill.
 - Lock the wheels so the unit does not accidentally move.
 - Wear protective gloves or oven mitts.
 - DO NOT touch any hot grill surfaces.
 - DO NOT wear loose clothing or allow hair to come in contact with grill.

 **USE CAUTION AND COMMON SENSE WHEN OPERATING YOUR GAS GRILL.**

FAILURE TO ADHERE TO THE SAFETY WARNINGS AND GUIDELINES IN THIS MANUAL COULD RESULT IN SEVERE BODILY INJURY OR PROPERTY DAMAGE.

SAVE THIS MANUAL FOR FUTURE REFERENCE.

WARNING

- **FOR OUTDOOR USE ONLY. DO NOT** operate indoors or in an enclosed area such as a garage, shed or breezeway.
- Use your grill **OUTDOORS** in a well ventilated space away from dwellings or other buildings to prevent dangers associated with gas accumulation and toxic vapors. We recommend your grill be situated at least 10 feet (3.1 m) from buildings. Not adhering to these clearances will prevent proper ventilation and may increase the risk of a fire and/or property damage, which could also result in personal injury.
- Maintain a minimum clearance of 36 inches (91 cm) between all sides of grill, deck railings, walls or other combustible material. **DO NOT** use grill under overhead unprotected combustible construction.
- **DO NOT** use or install this grill in or on a recreational vehicle and/or boat.

INSTALLATION INFORMATION:

The installation of this appliance must be in accordance with:

All applicable local codes, or in the absence of local codes, either:

- National Fuel Gas Code ANSI Z223.1 NFPA 54
- Natural Gas and Propane Installation Code: CAN/CGA B149.1
- Natural Gas Installation Code: CAN/CGA B149.1 (Canada)
- Propane Installation Code: CAN/CGA B149.2 (Canada)

To check your local codes, see your local LP gas dealer or natural gas company. This grill was not intended to be connected to a natural gas supply line. If an external electrical source is utilized, it must be electrically grounded in accordance with local codes, or in the absence of local codes, with the National Electrical Code, ANSI/NFPA 70, or the Canadian Electrical Code, CSA 22.1.

WARNING

LP GAS CYLINDER (NOT SUPPLIED WITH THIS GRILL)

The LP cylinder is available for purchase at the same location the grill was purchased.

The LP (Liquid Propane) gas cylinder specifically designed to be used with this grill must have a 20 lb. (9.1 kg) capacity incorporating a Type 1 cylinder valve and an over-filling protection device (OPD).

- This grill is designed to fit Worthington, Manchester or SMPC brand 20 lb. (9.1 kg) cylinders. Other brand DOT cylinders may fit this grill if the cylinder has similar dimensions of the top and bottom rings.
- **DO NOT** connect this grill to an existing #510 POL cylinder valve with Left Hand threads. The Type 1 valve can be identified with the large external threads on the valve outlet.
- **DO NOT** connect to a propane cylinder exceeding this capacity.
- **DO NOT** connect to a cylinder that uses any other type of valve connection device.

CYLINDER SPECIFICATIONS:

When purchasing or exchanging a cylinder for your gas grill, it must be constructed and marked in accordance with the specifications for LP gas cylinders of the U.S. Department of Transportation (DOT) or the National Standard of Canada, CAN/CSA-B339 Cylinders, Spheres and Tubes for Transportation of Dangerous Goods; and Commission, as applicable; and provided with a listed over-filling prevention device (OPD), and provided with a cylinder connection device compatible with the connection for outdoor cooking appliances.

The cylinder must also be equipped with:

- A shut-off valve terminating in a Type 1 gas cylinder valve outlet.
- A Type 1 valve that prevents gas flow until a positive seal is obtained.
- An arrangement for vapor withdrawal.
- A collar to protect the cylinder shut-off valve.
- A safety relief device having direct communication with the vapor space of the cylinder.
- A listed over-filling prevention device (OPD).

WARNING

- Turn off the cylinder valve when your grill is not in use.
- Handle the tank with care.
- Always secure the cylinder in an upright position.
- Never connect an unregulated LP gas cylinder to your grill.
- DO NOT expose LP gas cylinders to excessive heat or ignition sources.
- DO NOT store a spare LP gas cylinder under or near your grill.
- Allow only qualified LP gas dealers to fill or repair your LP gas cylinder.
- DO NOT allow the cylinder to be filled beyond 80% capacity.
- Read and follow all warnings and instructions that are on the cylinder and that accompany this product.

DANGER

- Never store a spare LP gas cylinder under or near your grill. This could cause excess pressure to be expelled through the vapor relief valve resulting in fire, explosion, or severe personal injury including death.

**Note: PROPANE GAS IS HEAVIER THAN AIR AND WILL COLLECT IN LOW AREAS.
PROPER VENTILATION IS EXTREMELY IMPORTANT.**

- Keep the ventilation opening(s) of the LP gas cylinder enclosure free and clear from obstructions and debris.
- DO NOT insert any foreign objects into the valve outlet. Damage to the back-check could result. A damaged back-check can cause a leak, possibly resulting in explosion, fire, severe bodily harm, or death.

WARNING

FILLING THE LP GAS CYLINDER:

- Allow only qualified LP gas dealers to properly fill or repair your LP gas cylinder.
- New tanks should be purged prior to filling; inform LP gas dealer if you are using a new tank.
- **DO NOT** allow the cylinder to be filled beyond 80% capacity. Over-filled tanks can create a dangerous condition. Over-filled tanks can build-up pressure and cause the relief valve to expel propane gas vapors. The vapor is combustible and if it comes in contact with a spark source or flame an explosion causing severe burns, bodily harm, or death could occur.
- Always use a protective cylinder cap when grill is not connected to cylinder.
- If you exchange a cylinder with a qualified exchange program, be sure the cylinder has a Type 1 valve and an over-filling prevention device (OPD).

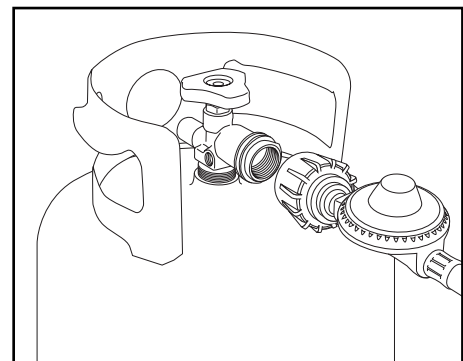
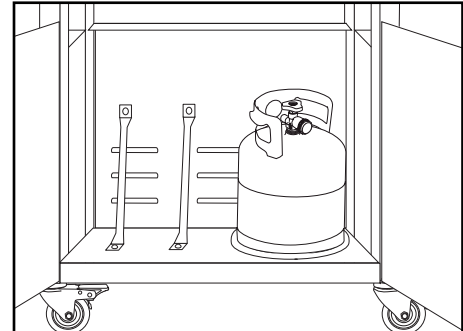
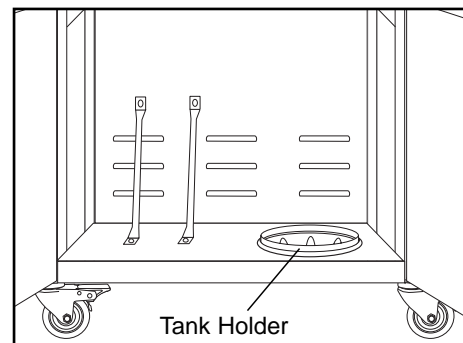
INSTALLING THE LP GAS CYLINDER ONTO THE GRILL:

1. Check that the cylinder valve is closed by turning the knob clockwise.
2. Place the cylinder into the tank holder in the bottom of cabinet.
3. Orient the cylinder such that the valve opening faces the side burner, and so that the hose is not kinked or damaged.
4. Attach or detach regulator to the LP gas cylinder only when cylinder is at rest in tank holder.

HOSE AND REGULATOR:

Your grill is equipped with a Type 1 connection device with the following features:

1. The system will not allow gas flow from the cylinder until a positive connection to the valve has been made.
Note: The cylinder valve must be turned off before any connection is made or removed.
2. A thermal device that will shut off the gas flow if the device is subject to temperatures above 240°F to 300°F (115°C to 150°C). If this should happen, remove the entire regulator assembly and dispose of properly. A replacement regulator assembly can be purchased by contacting customer service at 800-527-0717. The cause of the excessive heat should be determined and corrected before using your grill again.
3. A regulator flow limiting device, when activated, restricts the flow of gas to 10 cubic feet per hour. If the flow limiting device is activated, perform Regulator Resetting Procedure .



REGULATOR RESETTING PROCEDURE

1. Turn burner control knobs to "OFF", turn off the cylinder valve and disconnect regulator from LP gas tank. Wait approximately two minutes.
2. Reattach regulator and slowly turn cylinder valve back on. The flow limiting device will now be reset.

WARNING

- **Never use your grill without leak testing all gas connections and hoses. See the section on "Leak Testing" in this manual for proper procedures.**

WARNING

The pressure regulator and hose assembly supplied with your gas grill must be used.

- **DO NOT attempt to connect it to any other fuel supply source such as a natural gas line.**
- **DO NOT use any other pressure regulator/hose assembly other than the one supplied with your grill. Replacement pressure regulator/hose assembly must be part No 155-8445-S, which can be obtained by contacting customer service at 800-527-0717.**
- **DO NOT attempt to adjust or repair the regulator. The regulator is designed to operate at a maximum output pressure of 11 inches of water column (2.74 kPa).**

During assembly and/or replacement of the gas cylinder, keep the gas supply hose free of kinks and/or damage.

Visually inspect the hose assembly prior to each use for evidence of damage, excess wear, or deterioration. If found, replace the assembly before using your grill. Only the manufacturer's supplied replacement should be used.

WARNING

CONNECTING HOSE AND REGULATOR TO AN LP GAS CYLINDER

- **Ensure the tank valve is CLOSED prior to connecting the LP gas cylinder to your grill. Turn the valve knob clockwise to properly close the valve. Read and follow all instructions and warnings on the supply hose safety tags. Read and follow all warnings in this manual concerning the safe use of LP gas cylinders and the hose and regulator before connecting cylinder to grill. Read and follow all warnings on the LP cylinder.**

CONNECTING HOSE AND REGULATOR

1. Check that the cylinder valve is closed by turning the knob clockwise.
2. Check that the grill's burner control knobs are in the "OFF" positions.
3. Remove the protective plastic cap from the cylinder valve and the connection device.
4. Hold regulator and insert the nipple of connection device into the LP cylinder valve outlet. Ensure that the device is centered properly.
5. Turn the large coupling nut clockwise by hand and tighten to a full stop. Take care not to cross thread the coupling nut onto the cylinder valve. Do not over-tighten the knob onto the valve. Do not use tools to tighten connection.

Note: If you are unable to make the connection, repeat Steps 4 and 5.

6. Check that the hose does not contain kinks, does not contact sharp edges, and does not contact surfaces that may become hot during use.
7. Leak check all fittings before lighting your grill. See section on "Leak Testing" in this manual.

DANGER

LEAK TESTING:

To prevent fire or explosion hazard:

- DO NOT smoke or permit ignition sources in the area while conducting a leak test.
- Perform test OUTDOORS only in a well ventilated area.
- Never perform a leak test with a match or open flame.
- Never perform a leak test while the grill is in use or while grill is still hot.

WARNING

WHEN TO PERFORM A LEAK TEST:

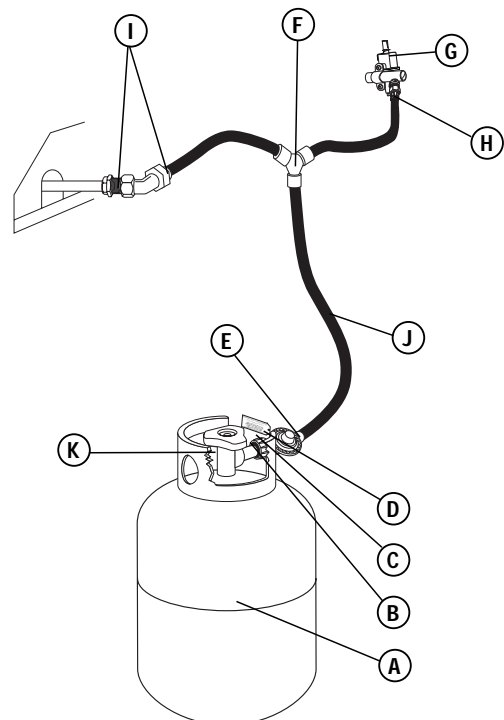
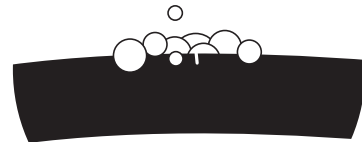
- After assembling your grill and before lighting for the first time, even if purchased fully assembled.
- Every time the LP gas cylinder is refilled or if any of the gas components are replaced.
- Any time your grill has been moved.
- At least once per year or if your grill has not been used for more than 60 days.

CHECKING FOR LEAKS:

1. Create a mixture of 50% water and 50% liquid dishwashing soap.
2. Open the lid.
3. Ensure all control knobs are set to the "OFF" position.
4. Turn on the fuel supply at the cylinder valve. Turn the cylinder valve knob one turn counter-clockwise.
5. Apply the soap water mixture to the following:

- Ⓐ Supply tank (cylinder) weld.
- Ⓑ Connection nut to tank valve.
- Ⓒ Back side of connection nut to brass nipple.
- Ⓓ Brass nipple connection into regulator.
- Ⓔ Regulator connections to gas supply hoses.
- Ⓕ Gas supply hose connection to side burner valve assembly.
- Ⓖ Side burner valve stem cap.
- Ⓗ Side burner connection to hose.
- Ⓘ Hose connection to gas manifold.
- Ⓝ The full length of gas supply hose.
- Ⓚ Tank valve to cylinder.

Watch For Bubbles



6. Check each place listed (A–K) for growing bubbles which indicates a leak.
7. Turn off gas supply at cylinder valve.
8. Turn on control knobs to release gas pressure in hose.
9. Turn control knobs to "OFF" position.
10. Tighten any leaking connections.
11. Repeat soapy water test until no leaks are detected.
12. Turn off gas supply at cylinder valve until you are ready to use your grill.
13. Wash off soapy residue with cold water and towel dry.
14. Wait 5 minutes to allow all gas to evacuate the area before lighting grill.

⚠ CAUTION: **DO NOT** use the grill if leaks cannot be stopped. Contact a qualified gas appliance repair service.

Note: The leak test must be performed in an area that has adequate lighting in order to see if bubbles are developing.

⚠ WARNING

PRE-START CHECK LIST:

Property damage, bodily harm, severe burns, and death could result from failure to follow these safety steps. These steps should be performed after the grill has been assembled and prior to each use. DO NOT operate this grill until you have read and understand ALL of the warnings and instructions in this manual.

PRE-START CHECK LIST:

- Ensure that the grill is properly assembled.
- Inspect the gas supply hose for burns, chaffing, kinks, and proper routing before each use. If it is evident there is excessive abrasion or wear, or the hose is cut, it must be replaced prior the grill being used. Replace with hose and regulator, Model No. 155-8445-S, which can be obtained by contacting customer service at 800-527-0717.
- Leak check all gas connections and hose. See section on "Leak Testing".
- Ensure that all electrical supply cords are properly grounded. Keep any electrical supply cord and the fuel supply hose away from any heated surfaces. Hose should be at least 3 inches from hot surfaces.
- Position your grill on level ground in a well ventilated location, a safe distance from combustible materials, buildings and overhangs.
- Properly place the empty grease tray under the grease drain hole in the bottom of the grill to catch grease during use.
- DO NOT obstruct the flow of combustion and ventilation air.

⚠ WARNING

Read, understand and follow all warnings and instructions contained in this manual. **DO NOT** skip any of the warnings and instructions contained in the preceding sections of this manual.

⚠ WARNING

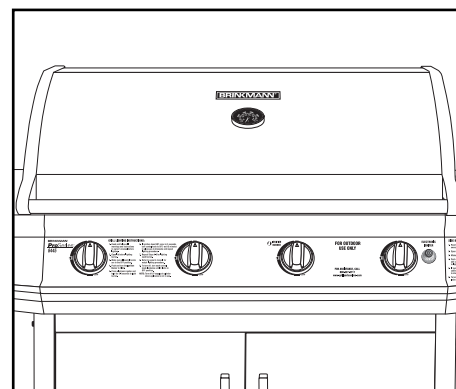
LIGHTING INSTRUCTIONS:

Follow the instructions exactly.

1. **OPEN THE GRILL LID** before attempting to light a burner so that fumes do not accumulate inside the grill. An explosion could occur if grill lid is down.
2. Check that all burner control knobs and the cylinder valve are turned to the "OFF" position.
3. Turn on the fuel supply by rotating the cylinder valve knob counter-clockwise to full open.
4. **DO NOT** stand with head, body, or arms over the grill when lighting.

LIGHTING THE MAIN BURNERS:

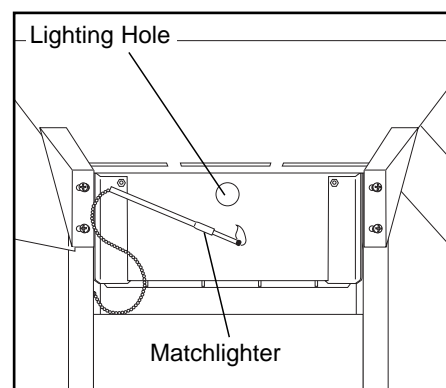
1. Open lid before lighting burner.
2. Make sure all control knobs are in the "OFF" position.
3. Push and turn the Ignition Burner to HIGH.
4. Press electronic igniter and hold for 3-5 seconds to light burner.
5. If ignition does NOT occur in 5 seconds, turn control knob to OFF, wait 5 minutes to allow gas to dissipate and repeat lighting procedure.
6. To light other burners, push and turn control knobs to HIGH in sequence from right to left. Follow Step 5.
7. Refer to owner's manual for match lighting procedure.
8. To turn off, turn control knob clockwise until it locks in OFF position.



Note: If burner does not light or flame is too low, you may have spider or other insect blockage in burner, or the flow limiting device has been activated. See "Burner Assembly/Maintenance" under Proper Care and Maintenance, or "Regulator Resetting Procedure" under Connecting LP Cylinder and Hose/Regulator to Grill.

MATCH LIGHTING THE MAIN BURNERS:

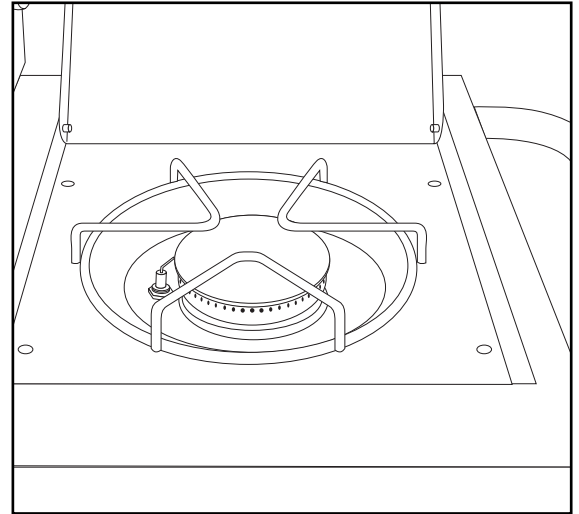
1. Open lid before lighting.
2. Turn the burner control knobs to "OFF".
3. Place a paper match in the end of the matchlighter. Strike the match and place through lighting hole in the left hand side of the grill to approximately 1/2" (1 to 2 cm) from the burner.
4. Turn on the **FAR LEFT** burner control knob to the "HIGH" position. The burner should light within 5 seconds.
5. If the burner does not light, turn the control knob to "OFF" and wait 5 minutes for gas to dissipate and repeat lighting procedure.
6. Once lit, light adjacent burners in sequence by pressing in and rotating the control knob to the "HIGH" position.
7. If the burner does not light within the first few attempts of match lighting, there is a problem with the gas supply. Turn off the gas at the burner **and** cylinder. **DO NOT** attempt to operate the grill until the problem is found and corrected. See "Trouble Shooting" section of this manual.



LIGHTING THE SIDE BURNER:

1. Open lid before lighting side burner.
2. Make sure control knob is in the "OFF" position.
3. Push and turn side burner control knob to HIGH.
4. Press the electronic igniter and hold for 3-5 seconds to light burner.
5. If ignition does NOT occur in 5 seconds, turn control knob to OFF, wait 5 minutes to allow gas to dissipate and repeat lighting procedure.
6. To turn off, turn control knob clockwise until it locks in OFF position.

Note: If burner does not light or flame is too low, you may have spider or other insect blockage in burner, or the flow limiting device has been activated. See "Burner Assembly/Maintenance" under Proper Care and Maintenance, or "Regulator Resetting Procedure" under Connecting LP Cylinder and Hose/Regulator to Grill.



MATCH LIGHTING THE SIDE BURNER:

1. Open the lid to the side burner before lighting.
2. Turn the burner control knob to "OFF".
3. Strike and carefully place a match approximately 1/2" (1 to 2 cm) from the burner.
4. Turn the side burner control knob to the "HIGH" position. The burner should light within 5 seconds.
5. If the burner does not light, turn the control knob to "OFF" and wait 5 minutes for gas to dissipate and repeat lighting procedure.
6. If the burner does not light within the first few attempts of match lighting, there is a problem with the gas supply. Turn off the gas at the burner and cylinder. **DO NOT** attempt to operate the grill until the problem is found and corrected. See "Trouble Shooting" section of this manual.

Note: Observe flame height when lit: Flame should be a Blue/Yellow color between 1"-2" when burner is on "HIGH".



TURNING OFF THE GRILL:

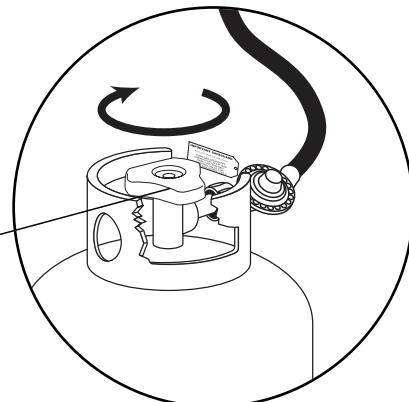
1. Turn off the cylinder valve.
2. Turn all burner control knobs to the "OFF" position.

Note: Turn off LP cylinder first to prevent gas from being left in the system under pressure.

⚠ CAUTION:

- The cylinder valve should always be in the off, or closed, position when the grill is not in use.

To turn off the cylinder valve, turn knob clockwise until it stops.



WARNING

OPERATING THE GRILL:

Never use charcoal or wood briquets in a gas grill. Flavoring chips must be contained in a metal smoking box to contain ash and prevent fires. Read and follow all warnings and instructions contained in the preceding sections of this manual.

BREAKING IN YOUR GRILL:

- In manufacturing and preserving the components of your grill, oil residue may be present on the burner and cooking surfaces of your grill.
- Before cooking on your grill for the first time you should preheat it for 15 minutes on "HIGH" to burn off these residual oils.

PREHEATING THE GRILL:

- Prior to use, it is recommended that you preheat your grill. This ensures that the grilling surfaces are at the desired temperatures to sear the food sugars when cooking. After lighting your grill, set the main burner control knobs to the "HIGH" position for 10 to 15 minutes. Close the cover during the preheat period.

CONTROLLING FLARE-UPS:

- Flare-ups are a part of cooking meats on a gas grill. This adds to the unique flavor of cooking on a gas grill. Excessive flare-ups can over-cook your food and cause a dangerous situation for you and your grill. Excessive flare-ups result from the build-up of grease in the bottom of your grill. If this should occur, DO NOT pour water onto the flames. This can cause the grease to splatter and could result in serious burns or bodily harm. If grease fire occurs close the lid and turn off the main burners until the grease burns out. Use caution when opening the lid as sudden flare-ups may occur.

WARNING

- **DO NOT leave your grill unattended while in use.**
- **DO NOT move grill when in use. Lock wheels in place to stabilize grill.**
- **DO NOT use water to extinguish flare-ups.**
- **Have fire extinguisher readily accessible suitable for use with gas appliances.**

TO MINIMIZE FLARE-UPS:

- Trim excess fat from meats prior to cooking.
- Cook meats with high fat contents (chicken or pork) on Low settings or indirectly.
- Ensure that your grill is on level ground and the grease is allowed to evacuate the grill through the drain hole in the bottom and into grease cup.

INDIRECT COOKING:

- Indirect cooking is the process of cooking your food without the heat source being directly under your food. You can sear meats over a high flame on one side of the grill while slow cooking a roast on the other (unlit) side of the grill.

ROTISSERIE COOKING:

- Your grill was pre-drilled from factory to include mounting holes for a rotisserie (sold separately). Do not use a rotisserie not specifically manufactured for this grill.
- Read and follow all instructions provided with the rotisserie. Save instructions for future reference.
- Do not use the side burner when using a rotisserie.

WARNING

- **When using an AC current rotisserie, it must be electrically grounded in accordance with local codes, or in the absence of local codes:**
 - **In the US: The National Electrical Code – ANSI-NFPA No. 70 – Latest Edition**
 - **In Canada: the Canadian Electrical Code – CSA C22.1**
- **The Rotisserie is equipped with a three pronged plug for your protection against electrical shock. This plug should be plugged directly into a properly grounded 3 prong receptacle. Never cut or remove the grounding plug. Any extension cord must also have a 3 prong receptacle.**
- **All electrical supply cords should be kept away from water and any hot surfaces of the grill.**

USING OTHER FEATURES OF THE GRILL:

THE SIDE BURNER:

- The side burner can be used to prepare side dishes such as beans, potatoes, corn, or to warm sauces.
- The burner valve can be adjusted from high to low depending upon your cooking demands.

WARNING

- **Read instructions on lighting your grill to light the side burner.**
- **Never close the side burner cover when the burner is lit.**
- **Use a 10" diameter pot or smaller that does NOT have an extended handle when cooking on the side burner. Center pot over burner.**
- **Never place more than 15 pounds on the side burner. The side burner is not constructed to hold weight exceeding 15 pounds.**
- **Use caution to avoid bumping grill, side burner or pot to prevent pot from spilling contents possibly leading to severe burns.**
- **DO NOT use side burner to deep fry food in oil to avoid dangers associated with oil igniting creating a very dangerous situation.**

GRILL COOKING TIPS

CLEANLINESS

- Always wash hands thoroughly with soap and hot water prior to handling food and after handling raw meat, uncooked poultry or seafood.
- When using a platter to carry raw meat, uncooked poultry or seafood to the grill, make sure to wash the platter thoroughly with soap and hot water before placing cooked foods back on the platter or use different platters for raw and cooked foods.
- Never use the same utensils when handling raw meat, uncooked poultry or seafood unless you wash the utensils thoroughly with soap and hot water.
- Never re-use marinade from raw meat or uncooked poultry on foods that have been cooked and are ready to be served.

GRILLING TO PROPER TEMPERATURE

- Use a meat thermometer to be sure food has reached a safe internal temperature. You may order a Commercial-quality thermometer from Brinkmann. For more information on this product and other Brinkmann accessories, please refer to the accessory pages at the end of this manual.
- The US Department of Agriculture recommends the **minimum** temperature be reached for the following food items:

Chops	145 degrees F (62.8° C)
Ground Meat	160 degrees F (71° C)
Pork	160 degrees F (71° C)
Poultry	180 degrees F (82° C)
Roasts	145 degrees F (62.8° C)
Seafood	140 degrees F (60° C)
Vegetables	145 degrees F (62.8° C)

HELPFUL HINTS

- If you pre-cook meat or poultry, do so immediately before grilling.
- Never defrost meat at room temperature or on a countertop.
- Refrigerate leftovers within 2 hours of taking food off the grill.
- For additional information, please phone the USDA's toll free Meat & Poultry Hotline at 800-535-4555.

PROPER CARE & MAINTENANCE

- To protect your grill from excessive rust, the unit must be kept clean and covered at all times when not in use. A grill cover may be ordered directly from Brinkmann by calling 800-468-5252 or 800-527-0717.
- Wash cooking grills and heat distribution plates with hot, soapy water, rinse well and dry. Lightly coat cooking grill with vegetable oil or vegetable oil spray.
- Clean inside and outside of grill by wiping off with a damp cloth. Apply a light coat of vegetable oil or vegetable oil spray to the interior surface to prevent rusting.
- If rust appears on the exterior surface of your grill, clean and buff the affected area with steel wool or fine grit emery cloth. Touch-up with a good quality high-temperature resistant paint.
- The stainless steel exterior surface of your grill, can be cleaned with stainless steel cleaner.
- Never apply paint to the interior surface. Rust spots on the interior surface can be buffed, cleaned, then lightly coated with vegetable oil or vegetable oil spray to minimize rusting.

CLEANING AND MAINTENANCE:

- Keep the appliance free and clear of combustible materials, gasoline and other flammable vapors and liquids.
- Keep the ventilation openings of the cylinder enclosure free and clear of debris.
- Visually check burner flames for proper operation (see pictorial in "Burner Assembly/Maintenance" under Proper Care and Maintenance). Spiders or other insects can nest in the burner causing gas blockage.
- For safe grilling and peak performance of your grill, perform these checks at least twice per year or after extended periods of storage.
- Be sure to tighten up all hardware (nuts, bolts, screws, etc.) at least twice per year.

⚠ CAUTION: Some parts may contain sharp edges. Wear protective gloves if necessary.

- Remove the cooking grills, heat distribution plates, and burners from inside your grill. Use a brush with hot water and detergent to remove excess residue. NEVER use a commercial oven cleaner. Rinse completely with water. Towel dry and replace all components as described in the assembly instructions.

BURNER ASSEMBLY/MAINTENANCE

- Although your burners are constructed of stainless steel, they may corrode as a result of the extreme heat and acids from cooking foods. Regularly inspect the burners for cracks, abnormal holes, and other signs of corrosion damage. If found, replace the burner.
- **DO NOT obstruct the flow of combustion and ventilation air.** Burner tubes can become blocked by spiders and other insects building their nests. Blocked burner tubes can prevent gas flow to the burners and could result in a burner tube fire or fire beneath the grill. To clean the Burner Assembly follow these instructions to clean and/or replace parts of burner assembly or if you have trouble igniting the grill.

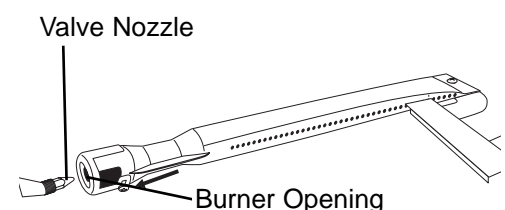
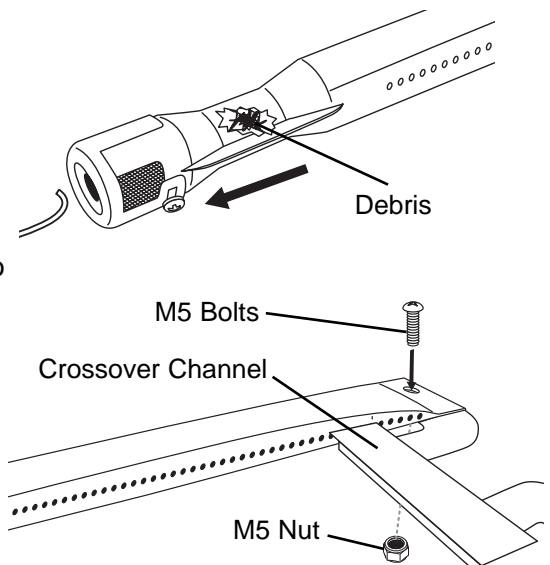
1. Turn gas off at control knobs and LP cylinder tank valve.
2. Remove cooking grills and heat distribution plates.
3. Remove bolt from each burner "foot" using a screwdriver.
4. Carefully lift each crossover channel and up and away from burners.
5. Carefully lift each burner up and away from valve openings.
6. Use a narrow bottle brush or a stiff wire bent into a small hook to run through each burner tube and flame port several times.

Note: Wear eye protection when performing procedure 7.

7. Use compressed air to blow into burner tube and out the flame ports. Check each port to make sure air comes out each hole.
8. Wire brush entire outer surface of burner to remove food residue and dirt.
9. Check burner for damage, if any large cracks or holes are found replace burner.

IMPORTANT: Burner opening must slide over valve nozzle.

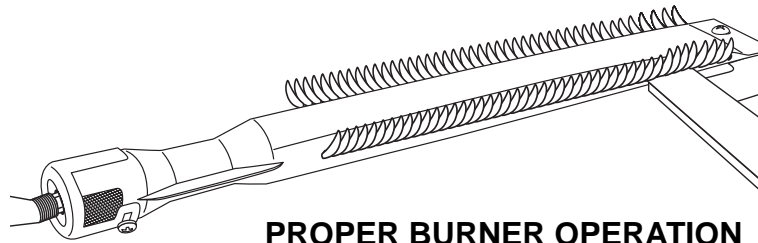
10. Carefully align crossover channels between burners and orient burners **CORRECTLY** by aligning screw hole in burner to the left as shown.
11. Replace M5 nuts and M5 bolts to each burner and crossover channel.



BURNER ASSEMBLY/MAINTENANCE CONTINUED

Note: Follow the "Gas Leak Testing" section of this manual. Relight burners to verify proper operation.

12. Replace heat distribution plates and cooking grills.



COOKING GRILLS

- Clean with mild soap detergent and water. A brass bristled brush or a nylon cleaning pad can be used to remove residue from the stainless steel surfaces. Do not use steel wire bristles to clean the cooking grills. Steel can cause the finish to chip or crack. DO NOT use a commercial oven cleaner.

HEAT DISTRIBUTION PLATES

- Periodically, it may be necessary to inspect and clean the heat distribution plate to prevent excess grease build-up. When the grill is cold, remove the cooking grills. Inspect the heat distribution plates and replace if broken or damaged. Do not allow heat distribution plates to become damaged to the extent that they may fall through onto the burners. Replace the heat distribution plates and cooking grills and light the burners. Operate the grill on "HIGH" for 10 minutes to remove the excess grease.

WARNING

TRANSPORTING AND STORAGE:

- Never move a grill when it is hot or when objects are on the cooking surfaces.
- Make sure that cylinder valve is shut off. After moving the grill check that all gas connections are free of leaks. Refer to instructions for Leak Testing.
- DO NOT store a spare LP gas cylinder (filled or empty) under or near the grill.
- Never store flammable liquids or spray canisters under or near the grill.
- DO NOT extinguish grease fires using water.
- If the outdoor cooking gas appliance is not in use, the gas must be turned off at the supply cylinder.
- Storage of an outdoor cooking gas appliance indoors is permissible only if the cylinder is disconnected and removed from the outdoor cooking gas appliance.
- Cylinders must be stored outdoors out of reach of children and must not be stored in a building, garage or any other enclosed area.
- When removing the grill from storage, spider webs or other debris may be blocking the burner. See "Burner Assembly/Maintenance" under Proper Care and Maintenance.

BEFORE STORING YOUR GRILL:

- Ensure that the cylinder valve is fully closed.
- Clean all surfaces.
- Lightly coat the burners with cooking oil to prevent excess rusting.
- If storing the grill indoors, disconnect the LP tank and leave the LP tank OUTDOORS.
- Place a protective cap cover on the LP tank and store the tank outdoors in a well ventilated area out of direct sunlight.
- Clean burner prior to use after storing, at the beginning of grilling season or after a period of one month not being used. Spiders and insects like to build nests in burner tubes (especially during colder months). These nests can cause fires in burner tubes or under grill.
- If storing the grill outdoors, cover the grill with a grill cover for protection from the weather.

TROUBLE SHOOTING

Problem:	Possible Causes:
<ul style="list-style-type: none"> • Burner will not light 	<ol style="list-style-type: none"> 1. Check LP cylinder fuel level. 2. Bad electrode spark. Check to see if the grill will match light. Electrode or collector may need adjustment. 3. Burner may not be properly seated. 4. Burner may be obstructed. 5. The cylinder valve may be closed. 6. Regulator is not properly seated on cylinder valve.
<ul style="list-style-type: none"> • Fire at control knob 	<ol style="list-style-type: none"> 1. Burner holes may be obstructed. See section on "Burner Assembly/Maintenance" under Proper Care and Maintenance. 2. Burner is improperly seated on control valve. 3. Gas connections may be loose. Leak Check and tighten all connections.
<ul style="list-style-type: none"> • Yellow Flames at burner 	<ol style="list-style-type: none"> 1. Burner is obstructed. See section on "Burner Assembly/Maintenance" under Proper Care and Maintenance.
<ul style="list-style-type: none"> • Flame blows out on "LOW" 	<ol style="list-style-type: none"> 1. Burner holes may be obstructed. See section on "Burner Assembly/Maintenance" under Proper Care and Maintenance. 2. Grill is not sufficiently preheated. 3. Burner is improperly seated on control valve.
<ul style="list-style-type: none"> • Burner does not get hot enough 	<ol style="list-style-type: none"> 1. Flow control device has been activated in regulator. See Regulator Resetting Procedure under Connecting LP Cylinder and Hose/Regulator to Grill.
<ul style="list-style-type: none"> • Grill is Too Hot 	<ol style="list-style-type: none"> 1. Excess grease build-up causing grease fires. 2. Damaged or faulty regulator. Replace with factory authorized parts. 3. Cook on a lower temperature setting.

FREQUENTLY ASKED QUESTIONS

Your grill's serial number and model number, and the contact information for Brinkmann Customer Service, are listed on a silver label found beneath the control panel, on the back of the grill or on the side of the grill body, under the side shelf.

These questions and answers are for your general knowledge, and may not be applicable to your model grill.

Question: Why does my grill not light properly?

Answer: Always follow lighting instructions as listed on the control panel or in this manual. Also check these causes:

- Check LP gas supply.
- Check to ensure all gas connections are secure.
- The igniter AA battery may need replacing.
- Ignition wires may be loose. Remove the battery, inspect the igniter junction box found behind the control panel and connect any loose wires.
- Spark electrode tips may need repositioning. With the gas supply closed and control knob set to the "OFF" position, press the igniter button and have another person watch for the presence of a spark at the electrode tips. The gap between the spark electrode tip and spark receiver should be about 3/16". If the electrode tip needs to be adjusted, bend it to the appropriate gap distance.
- Check that the end of each burner venturi tube is properly located over its gas valve orifice fitting.
- There may be an obstruction in the gas line. To correct this, remove LP gas hose / regulator or natural gas fuel line from your grill. Open gas supply for one second to test for obstruction. If no obstruction is present, reconnect fuel line. If the fuel line is blocked, replace with a new hose / regulator assembly.
- If an obstruction is suspected in the hose / regulator assembly, orifice or gas valves call Brinkmann Customer Service at 800-527-0717.

Question: Why does my LP gas grill have a low flame or a flame with orange / yellow color?

Answer: You need to purge air from the gas line or reset the regulator's flow limiting device. Opening the cylinder valve all the way or too quickly triggers the regulator's flow limiting device to shut down the gas flow, which prevents excessive gas flow to your grill. Note: This procedure should be done every time a new LP gas tank is connected to your grill:

RESETTING THE REGULATOR FLOW LIMITING DEVICE

- Turn control knob to the "OFF" position.
- Turn off the LP gas tank at the cylinder valve.
- Disconnect regulator from LP gas tank.
- Let tank stand for two minutes.
- Reconnect regulator to the LP gas tank.
- Open grill lid or side burner lid. Turn the cylinder valve on slowly until 1/4 or 1/2 open.
- Light the grill by following the instructions on your control panel or in this owner's manual.

Question: How and when do I clean the interior cooking components of my grill?

Answer: Use a fiber or brass cleaning brush to clean the interior of the grill, cooking grills, heat distribution plates and grease containers. Never use a wire brush or metal scraper on porcelain-finished parts, as they can scratch or chip the porcelain finish and promote rusting.

FREQUENTLY ASKED QUESTIONS

Cleaning Stainless Steel Cooking Grills: Wash grills with a mild detergent and rinse with hot water before initial use and as needed. DO NOT use a commercial oven cleaner. For stubborn food residue, use a degreaser and fiber or brass cleaning brush.

Cleaning Porcelain-Finished Cast-Iron Cooking Grills: Wash grills with a mild detergent and rinse with hot water before initial use and as needed. For stubborn food residue, use a degreaser and fiber or brass cleaning brush. Dry immediately using a soft cloth or paper towels.

Cleaning Heat Distribution Plate: Heat distribution plates should be cleaned whenever food or grease drippings accumulate to reduce the chance of flare-ups. Wash heat distribution plates with a mild detergent and rinse with hot water. Use a degreaser and fiber or brass cleaning brush to remove stubborn food residue. Do not use a wire brush or metal scraper on porcelain-finished heat distribution plates, as they can scratch or chip the porcelain finish and promote rusting.

Cleaning the Grease Tray and/or Grease Cup: The grease tray and/or grease cup (some models) should be inspected before each grill use to reduce the chance of fire. Remove grease (a plastic spatula works well) and wash all parts with a mild soap or degreaser and warm water solution.

Question: What causes grill parts to rust and what effect does it have on the grill materials?

Answer: Rusting is a natural oxidation process and may appear on cast-iron and steel parts. Rust will not affect the short-term performance of your grill. However, weathering and extreme heat can cause a stainless steel lid to turn a bronze color. This is discoloration, not rust, and is not considered a manufacturing defect.

Question: What causes my stainless steel grill lid to discolor and how do I clean my grill lid?

Answer: Smoke, weathering and high heat can cause a stainless steel grill lid to turn bronze in color. This is not to be confused with rust and is not a product defect. Machine oils used in the manufacturing process of stainless steel as well as cooking oils and a dirty grill lid can also encourage discoloration if the lid is not cleaned prior to grill use. After your grill is assembled, remove the protective PVC film from your grill lid and use a stainless steel cleaner and soft cloth to remove residual adhesive and oils from the inside and outside of your grill lid. Never use abrasive cleaners or scrubbers. In addition to the initial cleaning, routine cleaning to remove dirt, grease and oils will help discourage lid discoloration.

Question: Can I convert my grill from propane gas to natural gas?

Answer: Most gas grills are manufactured to exact specifications and are certified for either propane gas or natural gas use only. However, some models can be converted safely with conversion kits available for specific models. Contact Brinkmann Customer Service at 800-527-0717 to see if your grill can be converted.

Question: Why does the hose / regulator assembly supplied with my grill not fit the older LP gas tank I've used for years?

Answer: U.S. Government regulates gas appliances and LP gas tanks. When regulations were changed, the LP gas tank fittings were updated to ensure compliance. If your LP gas tank does not fit the hose / regulator supplied with your new grill, the tank is outdated and must be replaced. Note: Effective April 1, 2002, all LP gas tanks sold must include an "OPD" overflow protection device. This internal device prevents the LP gas tank from being overfilled. Tanks without an OPD valve cannot be refilled.

Question: Sometimes I hear a humming sound coming from my gas regulator. Should I be concerned?

Answer: The humming sound is gas flowing through the regulator. A low volume of noise is normal and will not interfere with the operation of your grill. If the humming noise is loud and excessive, you need to purge air from the gas line or reset the regulator flow limiting device following the Regulator Resetting Procedure under Connecting LP Cylinder and Hose/Regulator to Grill. This procedure should be done every time a new LP gas tank is connected to your grill. For help, refer to your owner's manual or call Brinkmann Customer Service at 800-527-0717.

PARTS BAG CONTENTS

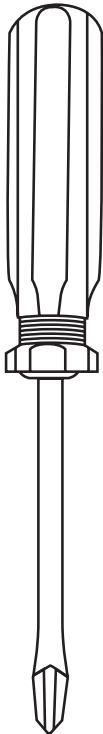
Make sure you have all items listed under **PARTS LIST** and **PARTS BAG CONTENTS** before you begin the installation process.

PARTS BAG CONTAINS:

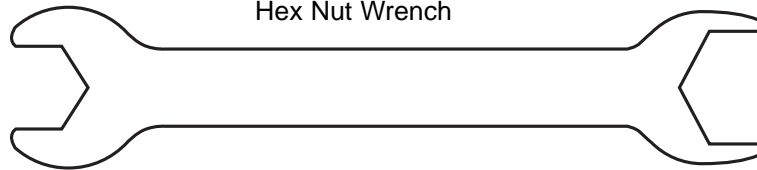
Qty.

- | | | | |
|----|--------------------------|----|--------------------------------|
| 1 | Screwdriver | 4 | M6 X 12mm Hex Bolts (Silver) |
| 1 | Hex Nut Wrench | 4 | Spring Washers (Silver) |
| 35 | M6 X 12mm Bolts (Black) | 20 | Star Washers (Black) |
| 1 | AA/1.5V Alkaline Battery | 4 | M6 Nuts (Black) |
| | | 2 | #8 Self-Tapping Screws (Black) |

Screwdriver



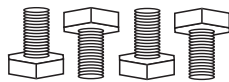
Hex Nut Wrench



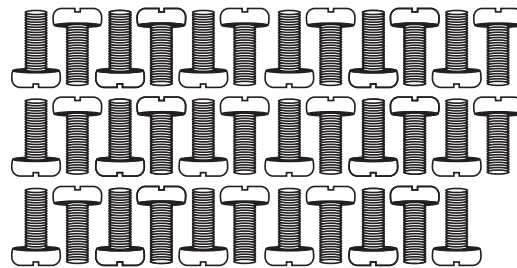
AA/1.5V Alkaline Battery



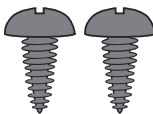
M6 X 12mm Hex Bolts (Silver)



M6 X 12mm Bolts (Black)



#8 Self-Tapping Screws (Black)



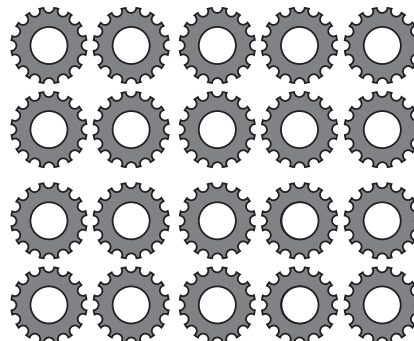
Spring Washers (Silver)



M6 Nuts (Black)



Star Washers (Black)



ASSEMBLY INSTRUCTIONS

▲ READ ALL SAFETY WARNINGS & ASSEMBLY INSTRUCTIONS CAREFULLY BEFORE ASSEMBLING OR OPERATING YOUR GRILL.

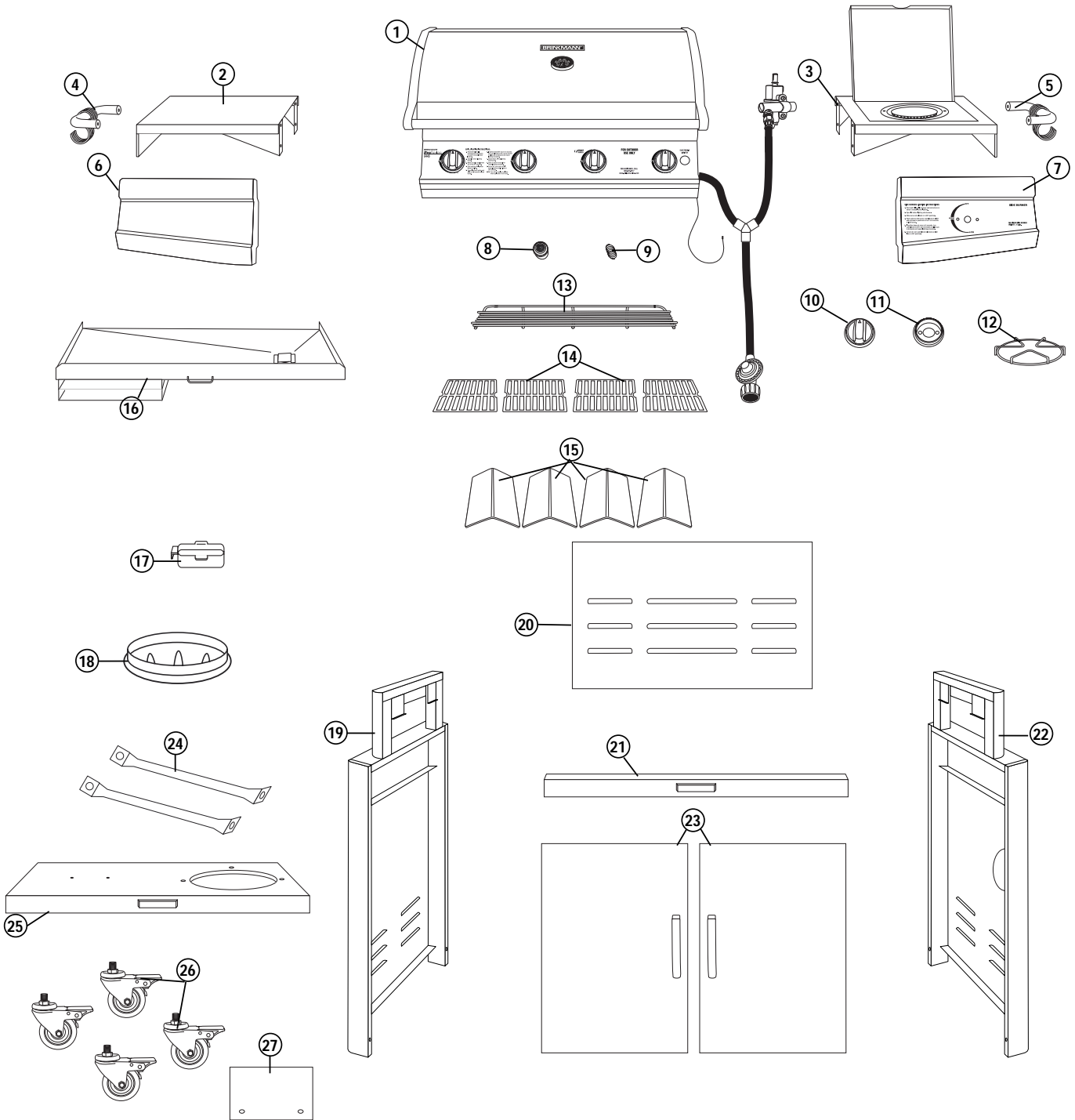
WE RECOMMEND TWO PEOPLE WORK TOGETHER WHEN ASSEMBLING THIS UNIT.

The following provided tools are required to assemble this ProSeries™ 8445 Gas Grill:

- **Screwdriver**
- **Hex Nut Wrench**

PARTS LIST:

①	1	Grill Body Assembly	⑭	4	Cooking Grills
②	1	Left Side Table	⑮	4	Heat Distribution Plates
③	1	Side Burner Assembly	⑯	1	Grease Tray with Heat Shield
④	1	Side Table Towel Rack	⑰	1	Grease Cup
⑤	1	Side Burner Towel Rack	⑱	1	Tank Holder
⑥	1	Left Side Table Front Panel	⑲	1	Left Side Cart Panel
⑦	1	Side Burner Front Panel	⑳	1	Back Panel
⑧	1	Electronic Igniter Button	㉑	1	Door Bracket
⑨	1	Electronic Igniter Spring	㉒	1	Right Side Cart Panel
⑩	1	Side Burner Control Knob	㉓	2	Doors
⑪	1	Side Burner Bezel	㉔	2	Tank Block Bars
⑫	1	Side Burner Grate	㉕	1	Cart Base
⑬	1	Warming Rack	㉖	4	Locking Casters
			㉗	1	Hose Heat Shield



FOR COVERS, ACCESSORIES AND OTHER PRODUCTS, PLEASE VISIT US ONLINE AT:

www.brinkmann.net

FOR GRILL WARRANTY REPLACEMENT PARTS, PLEASE VISIT US AT:

www.grillpartsonline.com

(Proof of purchase will be required.)

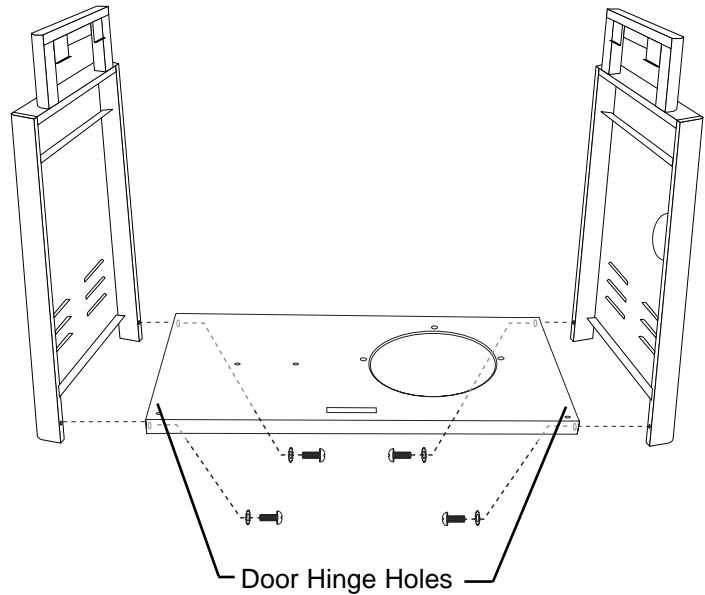
Inspect contents of the box to ensure all parts are included and undamaged.

Choose a good, cleared assembly area and get a friend to help you put your grill together. Lay cardboard down to protect grill finish and assembly area.

CAUTION: Some parts may contain sharp edges. Wear protective gloves if necessary.

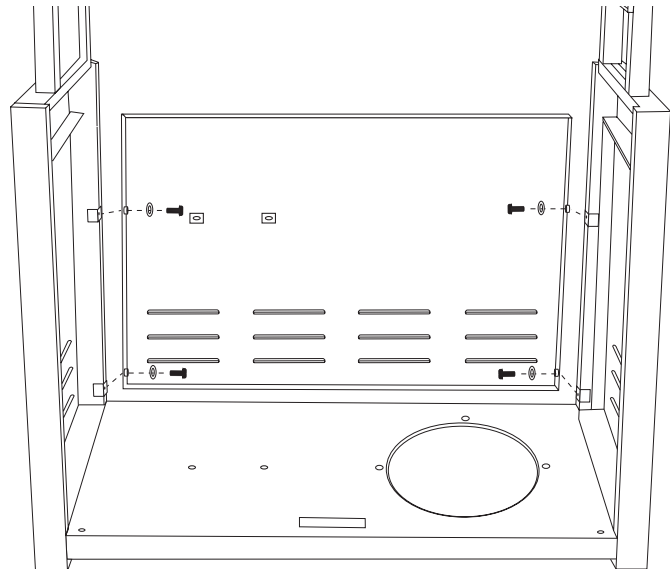
Step 1

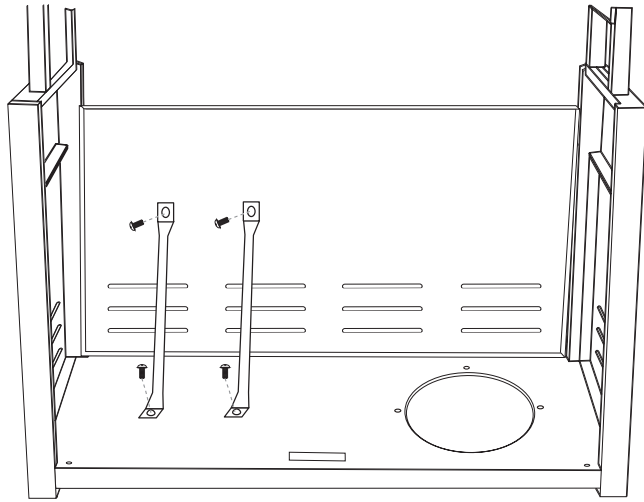
Attach cart base to side panels. Insert four M6 X 12mm bolts (black) and star washers (black) through cart base and into legs and tighten securely. Be sure the door hinge holes face forward.



Step 2

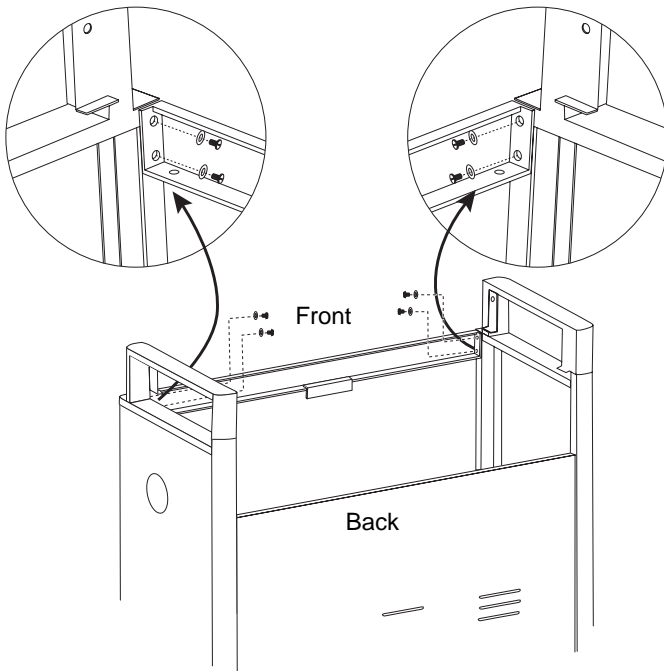
Attach back panel to left and right leg of cart assembly using four M6 X 12mm bolts (black) and star washers (black).





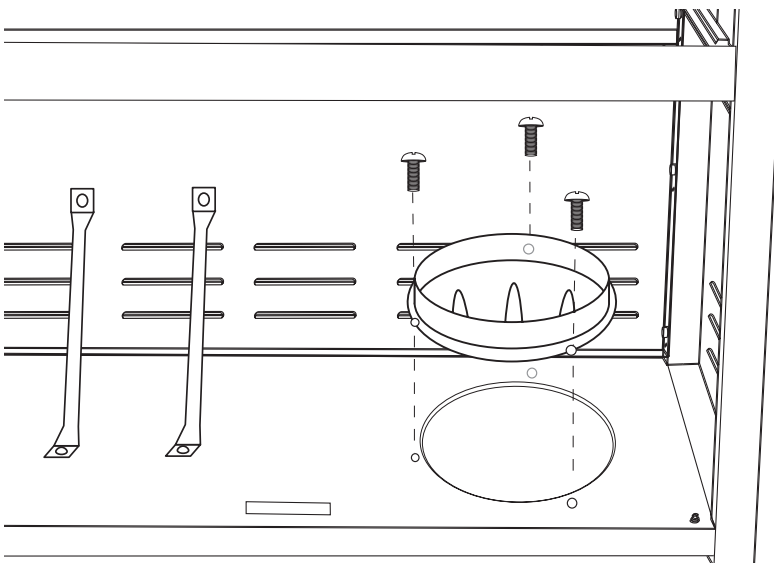
Step 3

Attach two tank block bars to the bottom cart shelf and the side cart panel using four M6 x 12mm bolts (black).



Step 4

Attach door bracket to left and right leg of cart using four M6 X 12mm bolts (black) and star washers (black).



Step 5

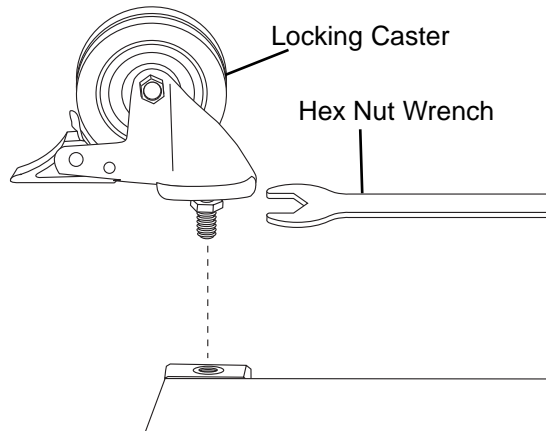
Attach tank holder onto cart base by using three M6 X 12mm bolts (black).

Note: With the help of a friend, turn the cart over. Try to minimize the stress to the side panels.

Step 6

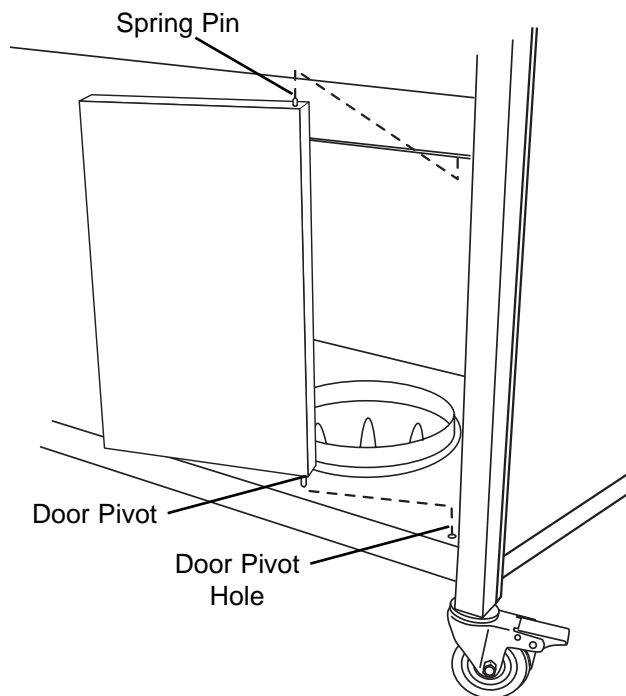
Attach locking casters to the bottom of the cart. Tighten caster bolts securely using hex nut wrench provided in parts pack.

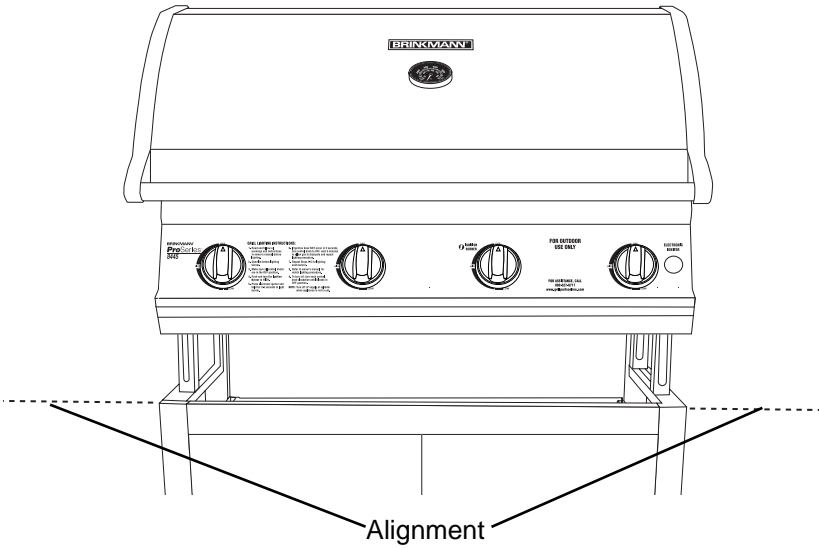
Note: With the help of a friend, turn the cart to its upright position. Lock the Casters to stabilize the grill before performing Step 7.



Step 7

Insert right side door pivot into lower pivot hole (on bottom cart shelf) then align door with cart frame. Depress spring pin located on top edge of door and slide door toward side cart panel until spring pin locks into hole in door bracket. Repeat for other door.

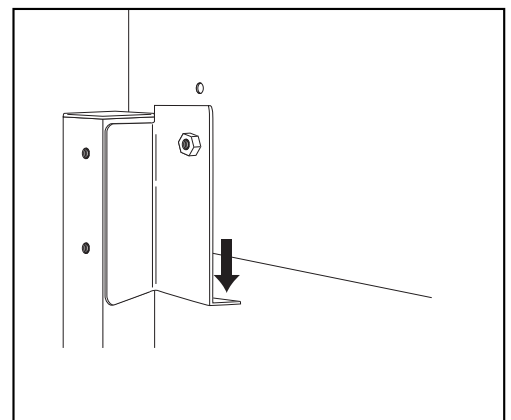
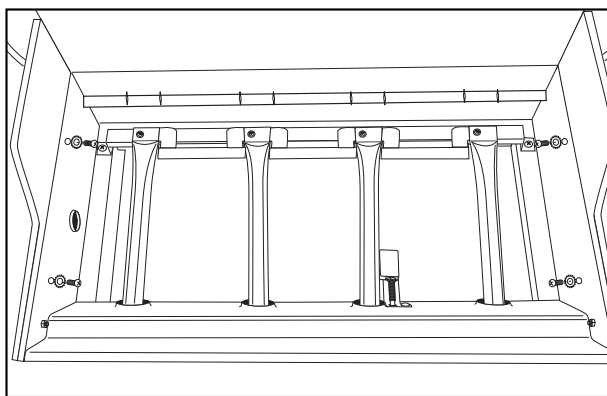




Note: When performing Step 8, lift grill body from front and rear panels to avoid injury to hands and fingers.

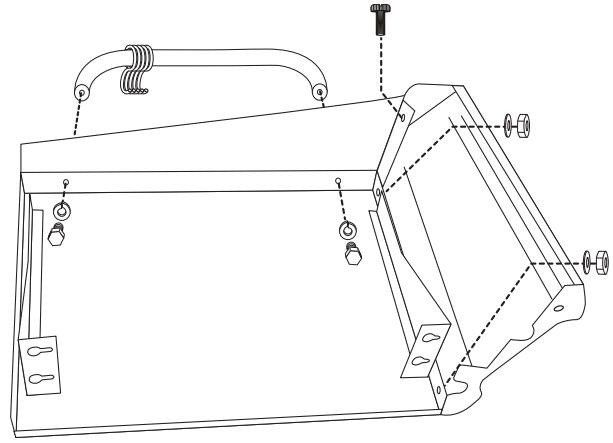
Step 8

With the help of a friend, place grill body assembly on cart frame. Grill body will rest on angled top of vertical supports. Align bolt holes located on the inside of the grill body assembly. Secure using four M6 X 12mm bolts (black) with star washers (black).



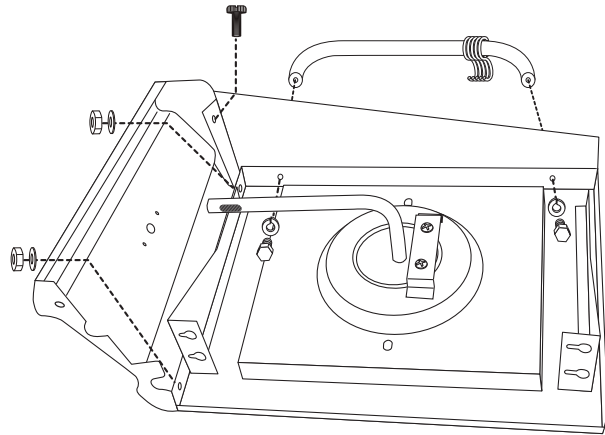
Step 9

Attach hooks to side table towel rack bar. Then attach towel rack bar to side table using two M6 X 12mm hexagonal bolts (silver) and spring washers (silver). Attach side table front panel using one M6 X 12mm bolt (black) and two M6 nuts and star washers (black).



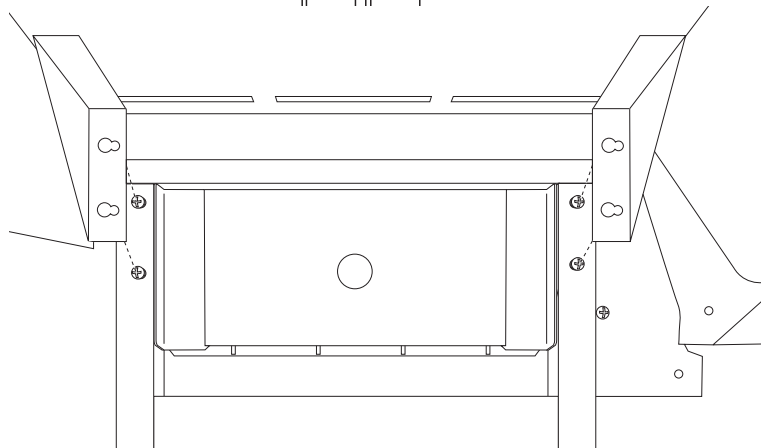
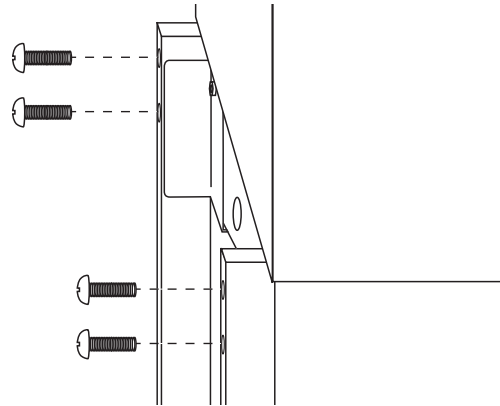
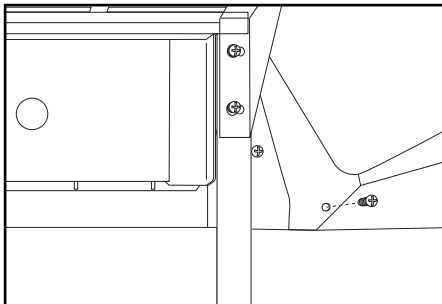
Step 10

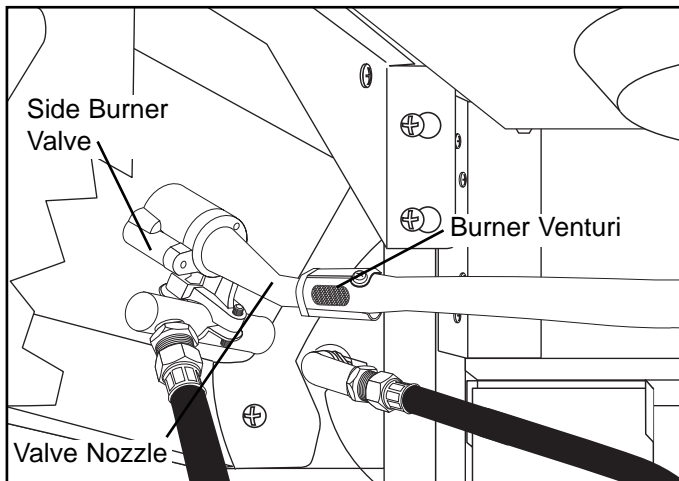
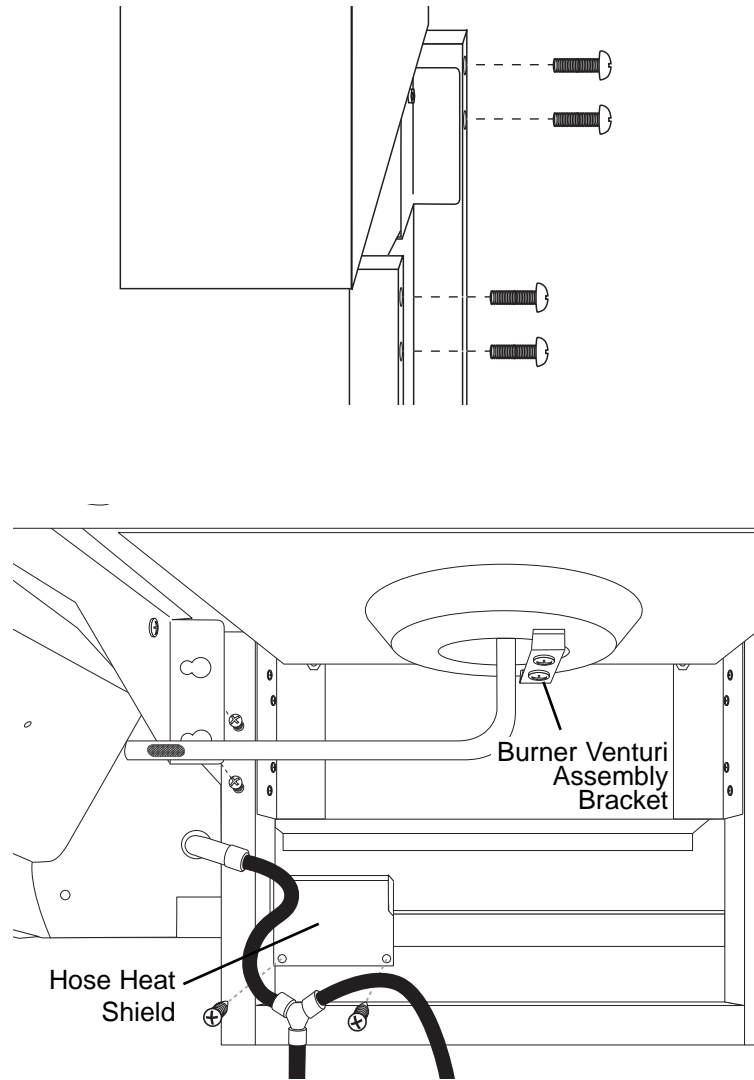
Attach hooks to side burner towel rack bar. Then attach towel rack bar to side burner assembly using two M6 X 12mm hexagonal bolts (silver) and spring washers (silver). Attach side burner assembly front panel using one M6 X 12mm bolt (black) and two M6 nuts and star washers (black).



Step 11

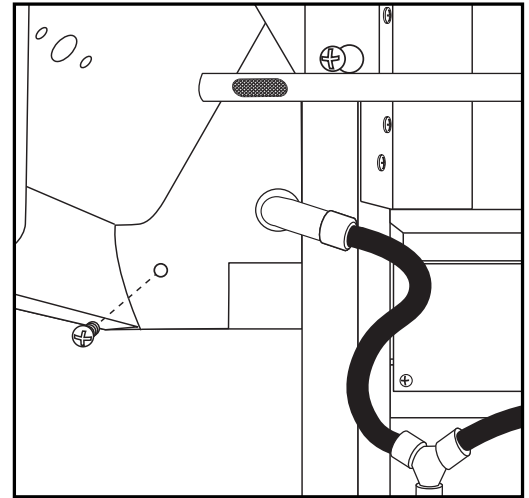
Attach side table to left side of cart frame assembly. Insert two M6 X 12mm bolts (black) into both left legs halfway. Place table over bolts and slide toward back of grill, then tighten securely. Fasten side table front panel to grill body with one M6 X 12mm bolt (black).





Step 12

Attach side burner to right side of cart frame assembly. Insert two M6 X 12mm bolts (black) into both right legs halfway. Place side burner over bolts and slide toward back of grill, then tighten securely. Fasten side burner front panel to grill body with one M6 X 12mm bolt (black).



Step 13

Attach hose heat shield using two #8 self-tapping screws.

Step 14

Loosen the two M4 bolts with washers from the bottom of the burner assembly bracket. This will allow the burner to move freely while performing Step 15.

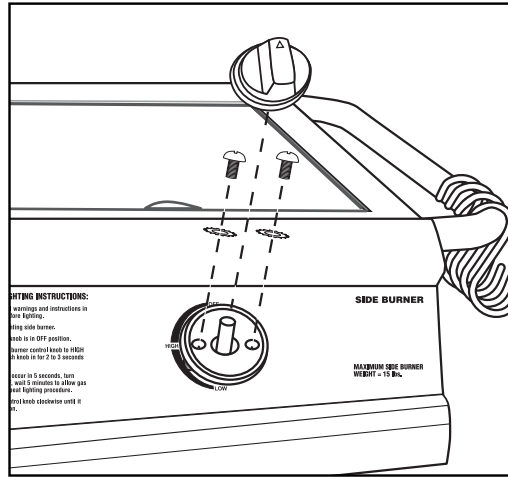
Step 15

Remove two M4 bolts and washers from the side burner valve. Insert the side burner valve assembly through the hole in the side burner front panel, seat the valve nozzle into the burner venturi. Hold in place while you perform Step 16.

⚠ Warning: Never use your grill without leak testing all gas connections and hoses. See the section on "Leak Testing" in this manual for proper procedures.

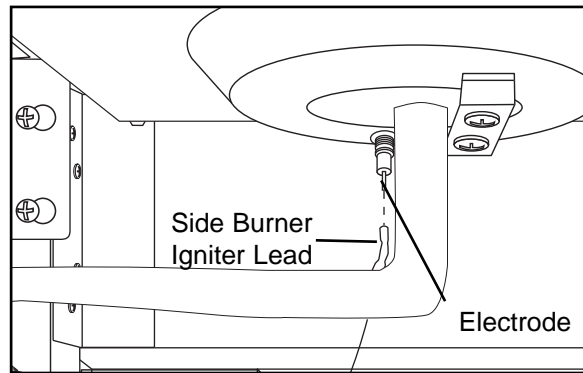
Step 16

Place the bezel over the control knob mounting stem and position over holes in side burner base and side burner valve assembly. Attach with two M4 X 10mm bolts with washers which come with valve. Install the side burner control knob onto valve stem, then tighten up the burner assembly/bracket screws loosened in Step 14.



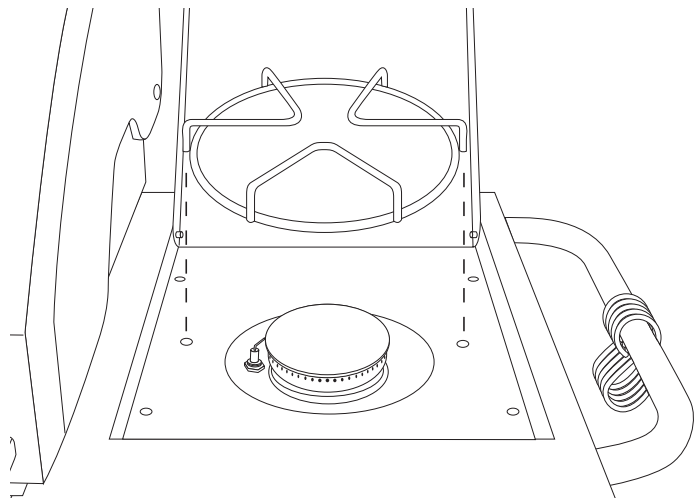
Step 17

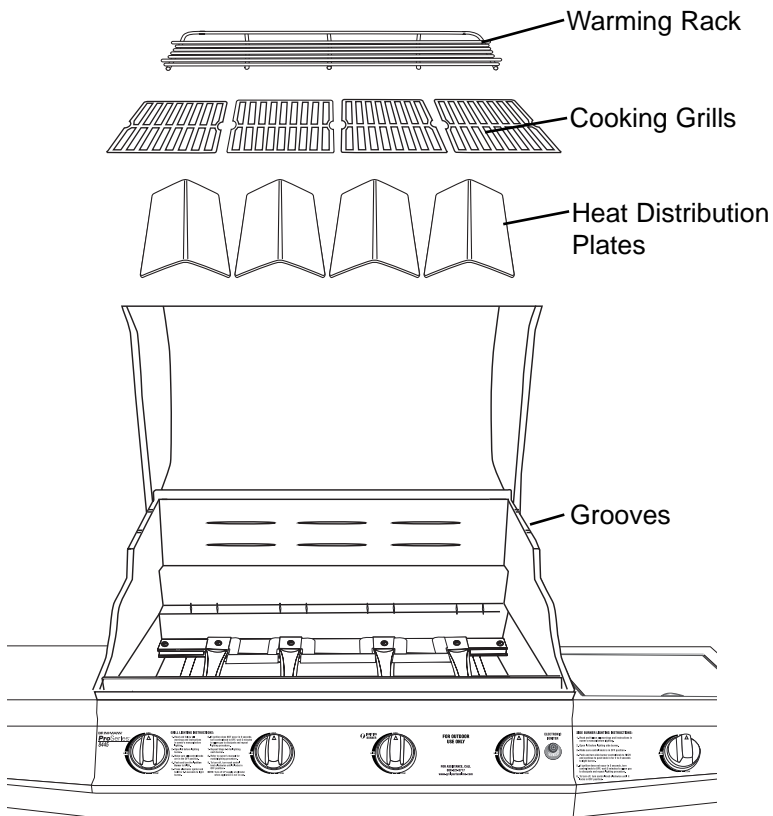
Attach side burner igniter lead wire to the electrode as illustrated.



Step 18

Place side burner grate over side burner.





Step 19

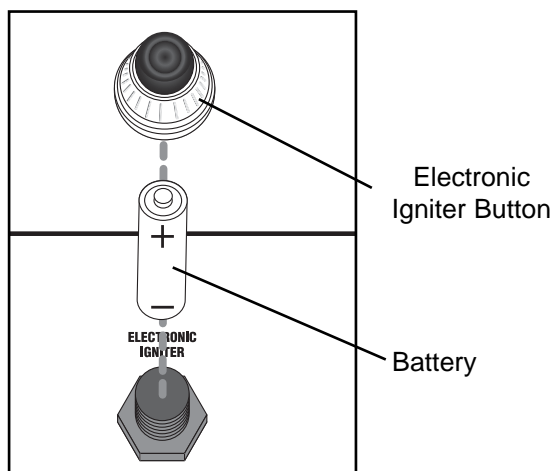
Place the heat distribution plates on lower level of grill body assembly directly above burners.

Step 20

Place cooking grills on support ribs directly above heat distribution plates.

Step 21

Place the warming rack on the grooves of the firebox side panels so that it sits above the cooking grills.

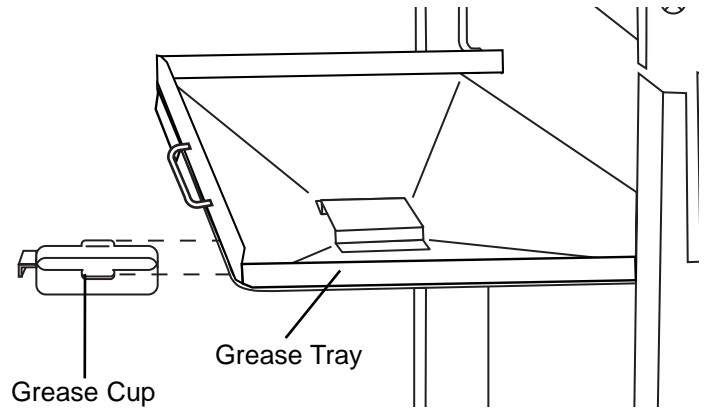


Step 22

Remove igniter cap and insert battery with positive end of battery toward igniter cap. Ensure spring is in place inside igniter cap. Replace igniter cap and make sure the igniter is working properly.

Step 23

Insert grease tray into opening on backside of grill. Make sure to slide tray onto tracks.



Step 24


Insert grease cup into the grease tray. Make sure to slide cup onto tracks as illustrated.

ProSeries™ 8445 (Assembled)





IMPORTANTES ADVERTENCIAS DE SEGURIDAD

ES NUESTRO DESEO QUE ARME Y UTILICE SU PARRILLA EN LA FORMA MÁS SEGURA POSIBLE. EL PROPÓSITO DE ESTE SÍMBOLO DE ALERTA DE SEGURIDAD  ES QUE USTED PRESTE ATENCIÓN A LOS POSIBLES PELIGROS CUANDO ARME Y UTILICE SU PARRILLA.

¡CUÁNDO VEA ESTE SÍMBOLO DE ALERTA DE SEGURIDAD  PRESTE ESPECIAL ATENCIÓN A LA INFORMACIÓN A CONTINUACIÓN!

 LEA DETENIDAMENTE TODAS LAS ADVERTENCIAS DE SEGURIDAD E INSTRUCCIONES ANTES DE ARMAR Y USAR LA PARRILLA.

PELIGRO

SI HUELE GAS:

1. Apague el gas al artefacto.
2. Apague cualquier llama expuesta.
3. Abra la tapa.
4. Si el olor persiste, subsistencia lejos de la aplicación y llame de inmediato a su proveedor de gas o a los bomberos.

ADVERTENCIA

1. No guarde ni use gasolina ni otros líquidos inflamables con vapores en las cercanías de este o de ningún otro artefacto.
2. Un cilindro de propano líquido que no esté conectado para ser utilizado no debe ser mantenido cerca de éste o ningún otro artefacto.

PELIGRO



- NO guarde un cilindro de gas de propano líquido de reserva debajo o cerca de este artefacto.
- Nunca llene el cilindro más de 80%.
- Se puede producir un incendio y causar lesiones o hasta la muerte si no se siguen estas instrucciones en forma exacta.

ÍNDICE

Advertencias generales	35
Instalación, especificaciones y uso seguro del cilindro de propano líquido	36–38
Conexión del cilindro de propano líquido y de la manguera / regulador a la parrilla	38–39
Pruebas de detección de fugas	40–41
Lista de verificación preliminar al encendido.	41
Instrucciones de encendido	42–43
Funcionamiento de la parrilla y recomendaciones útiles	44–46
Cuidado y mantenimiento apropiados	46–48
Transporte y almacenaje	48–49
Identificación y resolución de problemas.	49
Preguntas frecuentes.	50–51
Lista de partes e instrucciones de armado	52–64
Información de la garantía	Cubierta trasera

⚠ PELIGRO: Indica una situación peligrosa inminente la cual, si no se evita, producirá lesiones graves o aún la muerte.


⚠ ADVERTENCIA: Manténgase alerta a la posibilidad de lesiones corporales graves si no se siguen las instrucciones. Asegúrese de leer y seguir cuidadosamente todos los mensajes.

⚠ PRECAUCIÓN: Indica una situación posiblemente peligrosa la cual, si no se evita, puede producir lesiones menores o moderadas.

ADVERTENCIAS GENERALES

ADVERTENCIA

- Nunca use gas natural en una unidad diseñada para gas de propano líquido.
- Nunca use briquetas de carbón en una parrilla de gas. Los pedacitos de madera para dar sabor se deben colocar en una cajita de fumar de metal para contener la ceniza y para prevenir fuegos.
- Realice una prueba de detección de fugas en todas las conexiones antes de usar la parrilla por primera vez, aún si compró la parrilla armada, y después de cada llenado del tanque.
- Nunca use un cerillo o llama expuesta para detectar fugas.

 **PRECAUCIÓN:** Los olores fuertes, los resfríos o la congestión nasal pueden impedir la detección de propano. Sea precavido y utilice sentido común cuando realice pruebas de detección de fugas.

- Siempre mantenga la parrilla de gas alejada de la gasolina, fluido de encendedor, diluyente de pintura u otros vapores o líquidos inflamables o materiales combustibles.
- Siempre revise la parrilla antes de cada uso, tal como se indica en la sección "Lista de verificación preliminar al encendido" de este manual.
- NO obstruya el flujo del aire de combustión o ventilación.
- Nunca coloque más de 15 libras sobre la hornilla lateral. NO se apoye sobre el mesón de la hornilla lateral.
- Mantenga a los niños y las mascotas alejados de la parrilla caliente. NO permita que los niños usen o jueguen cerca de esta parrilla.
- NO deje la parrilla desatendida mientras está en uso.
- NO permita que la manguera de gas haga contacto con superficies calientes.
- NO permita que la grasa del agujero de drenaje caiga sobre la manguera o el conjunto del regulador de la válvula.
- Mantenga todos los cables de alimentación eléctrica alejados del agua o superficies calientes.
- Mantenga a mano un extinguidor de incendios aceptable para usar con productos de gas. Consulte con su autoridad local para determinar el tamaño y tipo correctos.
- Para uso doméstico únicamente. NO use esta parrilla para ningún propósito que no sea el previsto.
- NO use la parrilla bajo la influencia de alcohol o drogas.
- La parrilla está caliente cuando está en uso. Para evitar las quemaduras:
 - NO trate de mover la parrilla.
 - Trabe las ruedas para que la parrilla no se mueva accidentalmente.
 - Use guantes protectores o guantes para el horno.
 - NO toque ninguna superficie caliente de la parrilla.
 - NO use ropa suelta ni permita que el cabello haga contacto con la parrilla.

 **SEA PRECAVIDO Y UTILICE SENTIDO COMÚN CUANDO OPERE LA PARRILLA DE GAS.**

HACER CASO OMISO A LAS ADVERTENCIAS DE SEGURIDAD E INSTRUCCIONES EN ESTE MANUAL PUEDE PRODUCIR GRAVES LESIONES PERSONALES O DAÑOS MATERIALES.

GUARDE ESTE MANUAL PARA REFERENCIA FUTURA.

ADVERTENCIA

- **PARA USO EXTERIOR ÚNICAMENTE. NO opere la parrilla en áreas interiores o en un área cerrada como un garaje, cobertizo o pasadizo.**
- **Use la parrilla AL AIRE LIBRE en un espacio bien ventilado alejado de viviendas u otros edificios para prevenir los peligros asociados con la acumulación de gas y los vapores tóxicos. Recomendamos que la parrilla se sitúe a una distancia mínima de 10 pies (3,1 m) de los edificios.**
- **Mantenga un espacio mínimo de 36 pulgadas (91 cm) entre todos los costados de la parrilla y las paredes u otros materiales combustibles. NO use la parrilla debajo de construcciones combustibles elevadas desprotegidas.**
- **NO use ni instale esta parrilla en o sobre un vehículo recreativo y/o un bote.**

INFORMACIÓN DE INSTALACIÓN:

Este artefacto debe instalarse de acuerdo con:

Todos los códigos locales relevantes o, si no existen códigos locales, ya sea:

- Código de Gas Combustible de EE.UU. ANSI Z223.1 NFPA 54
- Código de instalación de gas natural y propano: CAN/CGA B149.1
- Código de instalación de gas natural: CAN/CGA B149.1 (Canadá)
- Código de instalación de propano: CAN/CGA B149.2 (Canadá)

Consulte con su distribuidor local de gas de propano líquido o con la compañía de gas natural con respecto a los códigos locales. Esta parrilla no fue diseñada para conectarla a una línea de suministro de gas natural. Si se utiliza una fuente eléctrica externa, debe estar conectada a tierra de acuerdo con los códigos locales o, en caso que no los haya, con el Código Eléctrico de EE.UU., ANSI/NFPA 70, o el Código Eléctrico Canadiense, CSA 22.1.

ADVERTENCIA

CILINDRO DE GAS DE PROPANO LÍQUIDO (NO SE INCLUYE CON ESTA PARRILLA)

El cilindro de propano líquido puede comprarse en el mismo lugar donde compró la parrilla.

El cilindro de gas de propano líquido diseñado específicamente para usarse con esta parrilla debe tener una capacidad de 20 libras (9,1 kg) e incorporar una válvula de cilindro tipo 1 y un dispositivo de protección contra el llenado excesivo (OPD).

- **NO conecte esta parrilla a una válvula de cilindro POL #510 existente con roscas izquierdas. La válvula de tipo 1 puede identificarse con las roscas externas grandes en la salida de la válvula.**
- **NO conecte un cilindro de propano que exceda esta capacidad.**
- **NO conecte la parrilla a un cilindro que utilice cualquier otro tipo de dispositivo de conexión de válvula.**

ESPECIFICACIONES DEL CILINDRO

Cuando compre o cambie un cilindro para la parrilla de gas, debe estar construido y marcado de acuerdo con las especificaciones para cilindros de gas de propano líquido del Departamento de Transporte (DOT) de EE.UU. o la Norma Nacional de Canadá, CAN/CSA-B339: Cilindros, esferas y tubos para el transporte de artículos peligrosos; y de la Comisión, según corresponda; y debe estar equipado con un dispositivo de protección contra el llenado excesivo (OPD) aprobado y con un dispositivo de conexión de cilindro compatible con la conexión para artefactos para cocinar al aire libre.

Además, el cilindro debe estar equipado con:

- Una válvula de cierre que termine en una salida de válvula para cilindro de gas de Tipo 1.
- Una válvula de Tipo 1 que prevenga el flujo de gas hasta que exista un sello positivo.
- Un mecanismo para extraer el vapor.
- Un collar para proteger la válvula de cierre del cilindro.
- Un dispositivo de alivio de seguridad comunicado directamente con el espacio de vapor del cilindro.
- Un dispositivo de protección contra el llenado excesivo (OPD) aprobado.

ADVERTENCIA

- **Cierre la válvula del cilindro cuando no esté usando la parrilla.**
- **Maneje el tanque con cuidado.**
- **Siempre mantenga el cilindro en posición vertical.**
- **Nunca conecte un cilindro de gas de propano líquido no regulado a la parrilla.**
- **NO exponga los cilindros de gas de propano líquido a calor excesivo o a fuentes de encendido.**
- **NO guarde un cilindro de gas de propano líquido de reserva debajo o cerca de la parrilla.**
- **Sólo los distribuidores de gas de propano líquido capacitados deben llenar o reparar su cilindro.**
- **NO permita que el cilindro sea llenado más del 80% de su capacidad.**
- **Lea y siga todas las advertencias e instrucciones en el cilindro y que acompañan a este producto.**

PELIGRO

- **Nunca guarde un cilindro de gas de propano líquido de reserva debajo o cerca de la parrilla. Esto puede causar una descarga de presión excesiva a través de la válvula de alivio de vapor y producir un incendio, explosión o lesiones personales graves, incluso la muerte.**

Nota: EL GAS DE PROPANO ES MÁS PESADO QUE EL AIRE Y SE ACUMULARÁ EN ÁREAS BAJAS. LA VENTILACIÓN APROPIADA ES EXTREMADAMENTE IMPORTANTE.

- **Mantenga el (los) orificio(s) de ventilación del gabinete del cilindro de gas de propano líquido despejados y sin obstrucciones o residuos.**
- **NO inserte ningún objeto extraño en la salida de la válvula. Esto puede dañar el mecanismo de retención de retroceso. Un mecanismo de retención de retroceso puede causar una fuga y posiblemente producir una explosión, incendio, lesiones corporales graves o aún la muerte.**

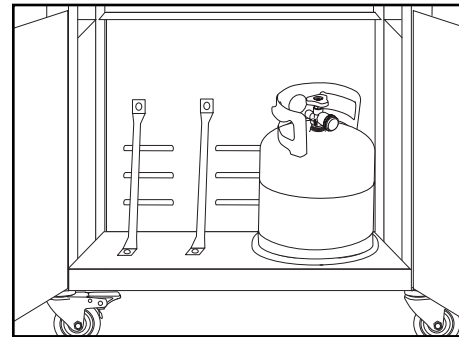
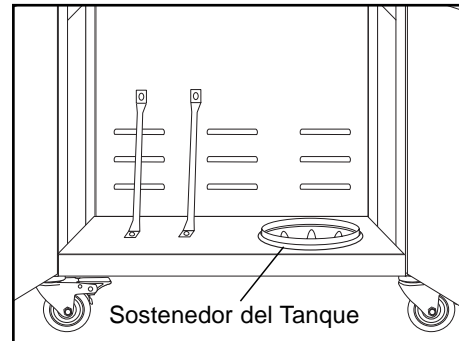
⚠ ADVERTENCIA

LLENADO DEL CILINDRO DE GAS DE PROPANO LÍQUIDO:

- Sólo los distribuidores de gas de propano líquido capacitados deben llenar o reparar su cilindro.
- Los tanques nuevos deben ser purgados antes de llenarlos; dígame al distribuidor de gas si está usando un tanque nuevo.
- NO permita que el cilindro sea llenado más del 80% de su capacidad. Los tanques llenados en exceso pueden crear una condición peligrosa. Los tanques llenados en exceso pueden acumular presión y hacer que la válvula de alivio expulse vapores de gas de propano. El vapor es combustible y, si hace contacto con una fuente de chispas o una llama, puede producirse una explosión y causar quemaduras graves, lesiones corporales o hasta la muerte.
- Siempre utilice una tapa de protección del cilindro cuando la parrilla no esté conectada al mismo.
- Si cambia un cilindro en un programa de cambio apropiado, verifique que el cilindro tenga una válvula de Tipo 1 y un dispositivo de protección contra el llenado excesivo (OPD).

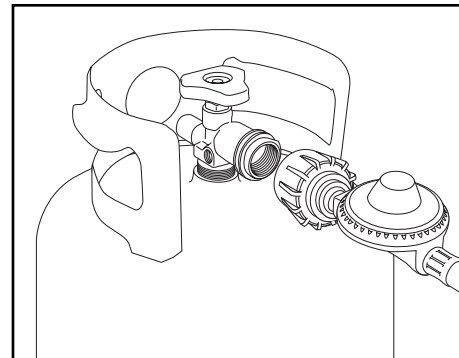
INSTALACIÓN DEL CILINDRO DE GAS DE PROPANO LÍQUIDO EN LA PARRILLA:

1. Verifique que la válvula del cilindro está cerrada girando la perilla en sentido horario.
2. Coloque el cilindro en el portatanque en el extremo inferior del gabinete.
3. Sitúe el cilindro de manera que la abertura de la válvula apunte hacia la hornilla lateral y de modo que la manguera no esté doblada o dañada.
4. Conecte o desconecte el regulador al cilindro de gas de propano líquido sólo cuando el cilindro está asentado en el portatanque.



MANGUERA Y REGULADOR:

1. El sistema no permitirá que fluya gas desde el cilindro hasta que haya una conexión positiva a la válvula.
Nota: La válvula del cilindro debe cerrarse antes de conectar o desconectar.
2. Un dispositivo térmico cerrará el flujo de gas si se expone a temperaturas de más de 240 °F a 300 °F (115 °C a 150 °C). Si esto ocurre, retire el conjunto completo del regulador y deséchelo correctamente. Puede comprar un conjunto de regulador de repuesto comunicándose con el servicio de atención al cliente al 800-527-0717. Se debe determinar la causa del calor excesivo y se debe corregir antes de usar la parrilla nuevamente.
3. Cuando está activado, un dispositivo limitador de flujo del regulador restringe el flujo de gas a 10 pies cúbicos por hora. Si el dispositivo limitador de flujo está activado, aplique el Procedimiento de Reposición del Regulador.



PROCEDIMIENTO DE REPOSICIÓN DEL REGULADOR

1. Gire las perillas de control de las hornillas a "OFF" (apagado), apague la válvula del cilindro y desconecte el regulador del tanque de gas de propano líquido. Espere aproximadamente dos minutos.
2. Reconecte el regulador y gire lentamente la válvula del cilindro para encenderla. Ahora el dispositivo limitador de flujo está reposicionado.

ADVERTENCIA

- **Nunca use la parrilla sin haber verificado que no hay fugas en las conexiones y mangueras de gas. Consulte los procedimientos apropiados en la sección de "Pruebas de detección de fugas" en este manual.**

ADVERTENCIA

Se debe utilizar el conjunto del regulador de presión y manguera suministrado con la parrilla de gas.

- **NO intente conectarla a ninguna otra fuente de suministro de combustible, como por ejemplo a una línea de gas natural.**
- **NO use ningún otro conjunto de regulador de presión/manguera que no sea el suministrado con la parrilla. El número de parte del conjunto de regulador de presión/manguera de repuesto debe ser Brinkmann N° 155-8445-S y puede obtenerse comunicándose con Brinkmann al 800-527-0717.**
- **NO intente ajustar o reparar el regulador. El regulador está diseñado para operar a una presión de salida máxima de 11 pulgadas de columna de agua (2,74 kPa).**

Durante la instalación y/o reemplazo del cilindro de gas, mantenga la manguera de suministro sin dobleces ni daños.

Inspeccione visualmente la manguera antes de cada uso para detectar daños, desgaste excesivo o deterioro. Si detecta daños, reemplace el conjunto antes de usar la parrilla. Sólo debe usarse el repuesto suministrado por el fabricante.

ADVERTENCIA

CONEXIÓN DE LA MANGUERA Y REGULADOR A UN CILINDRO DE GAS DE PROPANO LÍQUIDO

- **Verifique que la válvula del tanque está CERRADA antes de conectar el cilindro de gas de propano líquido a la parrilla. Gire la perilla de la válvula en sentido horario para cerrarla correctamente. Lea y siga todas las instrucciones y advertencias en las etiquetas de seguridad de la manguera de suministro. Lea y siga todas las advertencias en este manual con respecto al uso seguro de los cilindros de gas de propano líquido y de la manguera y regulador antes de conectar el cilindro a la parrilla. Lea y siga todas las advertencias en el cilindro de propano líquido.**

CONEXIÓN DE LA MANGUERA Y REGULADOR

1. Verifique que la válvula del cilindro está cerrada girando la perilla en sentido horario.
2. Verifique que las perillas de control de las hornillas de la parrilla están en las posiciones OFF (de apagado).
3. Quite la tapa de protección de plástico de la válvula del cilindro y del dispositivo de conexión.
4. Sujete el regulador e inserte el niple del dispositivo de conexión en la salida de la válvula del cilindro de propano líquido. Asegúrese de que el dispositivo esté centrado correctamente.
5. Gire la tuerca de acoplamiento grande en sentido horario con la mano y apriétela por completo. Tenga cuidado de no estropear las roscas de la tuerca de acoplamiento al instalarla en la válvula del cilindro. No apriete excesivamente la perilla en la válvula. No utilice herramientas para apretar la conexión.

Nota: Si no puede hacer la conexión, repita los Pasos 4 y 5.

6. Asegúrese de que la manguera no esté doblada, que no haga contacto con bordes afilados o superficies que puedan calentarse durante el uso.
7. Revise todos los accesorios para asegurar que no haya fugas antes de encender la parrilla. Consulte la sección de "Pruebas de detección de fugas" en este manual.

⚠ PELIGRO

PRUEBAS DE DETECCIÓN DE FUGAS:

Para impedir los peligros de incendio o explosión:

- **NO fume ni permita que haya fuentes de encendido en el área mientras realiza la prueba de detección de fugas.**
- **Realice la prueba AL AIRE LIBRE únicamente, en un área bien ventilada.**
- **Nunca realice una prueba para detectar fugas con un cerillo o llama expuesta.**
- **Nunca realice una prueba para detectar fugas mientras está usando la parrilla o con la parrilla caliente.**

⚠ ADVERTENCIA

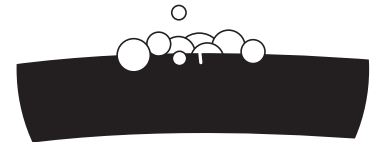
CUÁNDO REALIZAR UNA PRUEBA DE DETECCIÓN DE FUGAS:

- **Después de haber armado la parrilla y antes de encenderla por primera vez, aún cuando la haya comprado totalmente armada.**
- **Cada vez que se llene nuevamente el cilindro de gas de propano líquido o si se reemplaza alguno de los componentes de gas.**
- **Cada vez que haya movido la parrilla.**
- **Por lo menos una vez al año si no ha usado la parrilla más de 60 días.**

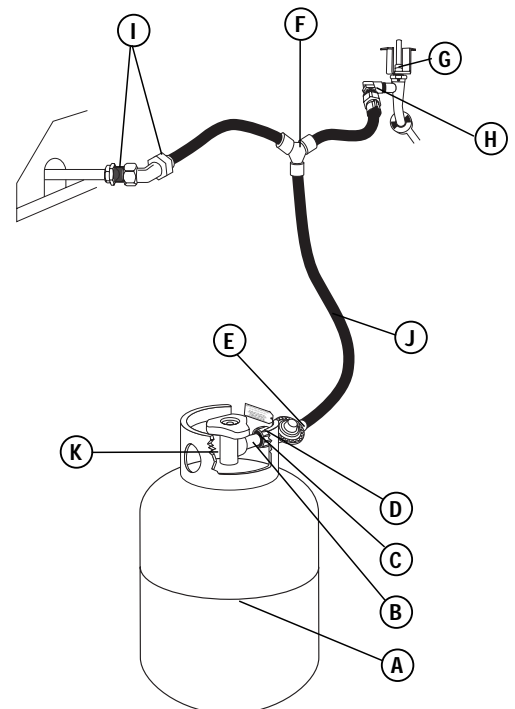
VERIFICACIÓN DE AUSENCIA DE FUGAS:

1. Prepare una mezcla de 50% de agua y 50% de jabón líquido para lavar platos.
2. Abra la tapa.
3. Asegúrese de que todas las perillas de control estén en la posición "OFF" (de apagado).
4. Encienda el suministro de combustible en la válvula del cilindro. Gire la perilla de la válvula del cilindro una vuelta en sentido contrahorario.
5. Aplique la mezcla de agua jabonosa a los siguientes elementos:

Preste atención a las burbujas



- Ⓐ Soldadura del tanque (cilindro) de suministro.
- Ⓑ Tuerca de conexión a la válvula del tanque.
- Ⓒ Lado posterior de la tuerca de conexión al niple de latón.
- Ⓓ Conexión del niple de latón al regulador.
- Ⓔ Conexiones del regulador a las mangueras de suministro de gas.
- Ⓕ Conexión de la manguera de suministro de gas al conjunto de la válvula de la hornilla lateral.
- Ⓖ Tapa del vástago de la válvula de la hornilla lateral.
- Ⓗ Conexión de la hornilla lateral a la manguera.
- Ⓘ Conexión de la manguera al múltiple de gas.
- Ⓝ El largo completo de la manguera de suministro de gas.
- Ⓚ Válvula del tanque al cilindro



6. Inspeccione cada uno de los elementos indicados (A-K) para ver si hay burbujas, lo cual indica una fuga.
7. Cierre el suministro de gas en la válvula del cilindro.
8. Gire las perillas de control para descargar la presión de gas en la manguera.
9. Gire las perillas de control a la posición "OFF" (de apagado).
10. Apriete todas las conexiones con fuga.
11. Repita la prueba con agua jabonosa hasta que no detecte ninguna fuga.
12. Apague el suministro de gas en la válvula del cilindro hasta que esté listo para usar la parrilla.
13. Limpie el residuo jabonoso con agua fría y seque con una toalla.
14. Espere 5 minutos para permitir la evacuación de todo el gas del área antes de encender la parrilla.

⚠ PRECAUCIÓN: **NO** use la parrilla si no puede eliminar las fugas. Llame a un servicio capacitado de reparación de artefactos a gas.

Nota: La prueba de detección de fugas debe realizarse en un área con iluminación adecuada para ver si se forman burbujas.

⚠ ADVERTENCIA

LISTA DE VERIFICACIÓN PRELIMINAR AL ENCENDIDO:

Si hace caso omiso a estos pasos de seguridad, se pueden causar daños materiales, lesiones corporales, quemaduras graves o hasta la muerte. Estos pasos deben realizarse después de haber armado la parrilla y antes de cada uso. NO opere esta parrilla hasta que haya leído y entendido TODAS las advertencias e instrucciones en este manual.

LISTA DE VERIFICACIÓN PRELIMINAR AL ENCENDIDO:

- Asegúrese de que la parrilla está armada correctamente.
- Inspeccione la manguera de suministro de gas para detectar quemaduras, rozaduras, dobleces y verificar la trayectoria correcta antes de cada uso. Si hay evidencia de abrasión o desgaste excesivo, o si la manguera está cortada, debe reemplazarse antes de usar la parrilla. Reemplácela con una manguera y regulador Modelo N° 155-2400-0 que puede obtenerse comunicándose con el servicio de atención al cliente al 800-527-0717.
- Realice una prueba de detección de fugas en todas las conexiones y en la manguera de gas. Consulte la sección de "Pruebas de detección de fugas".
- Asegúrese de que todos los cables de suministro eléctrico estén adecuadamente conectados a tierra. Mantenga todos los cables de suministro eléctrico y la manguera de suministro de combustible alejados de cualquier superficie calentada. La manguera debe estar a una distancia mínima de 3 pulgadas de las superficies calientes.
- Sitúe la parrilla en un sitio con suelo nivelado y con buena ventilación, a una distancia segura de materiales combustibles, edificios y salientes.
- Instale correctamente la bandeja de recolección de grasa vacía debajo del agujero de drenaje de grasa en el extremo inferior de la parrilla para contener la grasa durante el uso.
- NO obstruya el flujo del aire de combustión y ventilación.

⚠ ADVERTENCIA

Lea, entienda y siga todas las advertencias e instrucciones indicadas en este manual. NO pase por alto ninguna de las advertencias o instrucciones indicadas en las secciones anteriores de este manual.

⚠ ADVERTENCIA

INSTRUCCIONES DE ENCENDIDO:

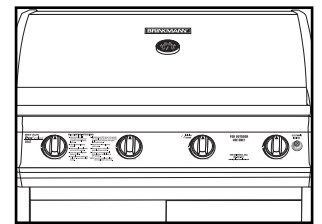
Siga las instrucciones al pie de la letra.

1. **ABRA LA TAPA DE LA PARRILLA** antes de tratar de encender una hornilla para que no se acumulen vapores dentro de la parrilla. Puede producirse una explosión si la tapa de la parrilla no está abierta.
2. Verifique que todas las perillas de control de las hornillas y la válvula del cilindro están en la posición **OFF** (apagado).
3. Abra el suministro de combustible girando la perilla de la válvula del cilindro en sentido contrahorario a la posición totalmente abierta.
4. **NO se pare con la cabeza, el cuerpo o los brazos sobre la parrilla cuando la encienda.**

ENCENDIDO DE LAS HORNILLAS PRINCIPALES:

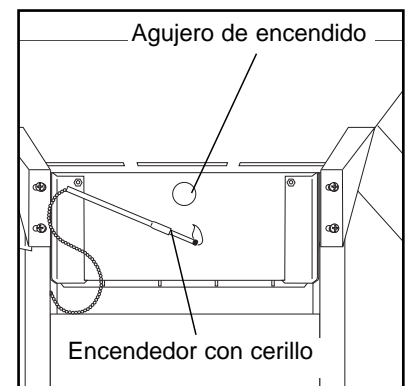
1. Abra la tapa antes de encender la hornilla.
2. Verifique que todas las perillas de control estén en la posición "OFF" (apagado).
3. Empuje y gire la perilla de control de encendido a la posición "HIGH" (llama fuerte).
4. Oprima el encendedor electrónico y manténgalo oprimido 3 a 5 segundos para encender la hornilla.
5. Si la hornilla **NO** se enciende en 5 segundos, gire la perilla de control a la posición "OFF" (apagado), espere 5 minutos para que se disipe el gas y repita el procedimiento de encendido.
6. Para encender las demás hornillas, empuje y gire las demás perillas a "HIGH" (llama fuerte) en secuencia desde la derecha a la izquierda. Siga paso 5.
7. Consulte la sección de "Encendido de las hornillas principales con un cerillo".
8. Para apagar, gire cada perilla de control en sentido horario hasta que se traben en la posición "OFF" (apagado).

Nota: Si la hornilla no se enciende o la llama es muy baja, quizás esté bloqueada con un insecto o se haya activado el dispositivo limitador de flujo. Consulte "Instalación/Mantenimiento de las Hornillas" en la sección Cuidado y mantenimiento apropiados o el "Procedimiento de Reposición del Regulador" en la sección Conexión del cilindro de propano líquido y de la manguera / regulador a la parrilla.



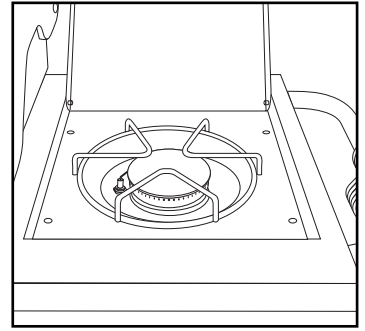
ENCENDIDO DE LAS HORNILLAS PRINCIPALES CON UN CERILLO:

1. Abra la tapa antes de encender.
2. Gire las perillas de control de hornillas a posición "OFF" (apagado).
3. Coloque un cerillo de papel en el extremo de encendedor con cerillo. Prenda el cerillo y colóquelo a través del agujero de encendido en el lado izquierdo de la parrilla aproximadamente a 1/2" pulgada (1 a 2 cm) de la hornilla.
4. Gire la perilla de control de hornilla de **EXTREMA IZQUIERDA** a "HIGH" (llama fuerte). Hornilla debe encender en 5 segundos.
5. Si la hornilla no se enciende, gire la perilla de control a la posición "OFF" (apagado) y espere 5 minutos para que se disipe el gas y repita el procedimiento de encendido.
6. Una vez encendida, encienda las hornillas adyacentes en secuencia oprimiendo y girando la perilla de control a la posición "HIGH" (llama fuerte).
7. Si la hornilla no se enciende después de varios intentos con un cerillo, entonces hay un problema con el suministro de gas. Cierre el gas en la hornilla **y** en el cilindro. **NO** trate de operar la parrilla hasta haber encontrado y corregido el problema. Consulte la sección de "Identificación y corrección de problemas" de este manual.



ENCENDIDO DE LA HORNILLA LATERAL:

1. Abra la tapa antes de encender la hornilla lateral.
2. Verifique que la perilla de control esté en la posición "OFF" (apagado).
3. Empuje y de vuelta al botón de control de la hornilla lateral a "HIGH" (llama fuerte).
4. Oprima el encendedor electrónico y manténgalo oprimido 3 a 5 segundos para encender la hornilla.
5. Si la hornilla NO se enciende en 5 segundos, gire la perilla de control a la posición "OFF" (apagado), espere 5 minutos para que se disipe el gas y repita el procedimiento de encendido.
6. Para apagar, gire cada perilla de control en sentido horario hasta que se trabaje en la posición "OFF" (apagado).



Nota: Si la hornilla no se enciende o la llama es muy baja, quizás esté bloqueada con un insecto o se haya activado el dispositivo limitador de flujo. Consulte "Instalación/Mantenimiento de las Hornillas" en la sección Cuidado y mantenimiento apropiados o el "Procedimiento de Reposición del Regulador" en la sección Conexión del cilindro de propano líquido y de la manguera / regulador a la parrilla.

ENCENDIDO DE LA HORNILLA LATERAL CON UN CERILLO:

1. Abra la tapa de la hornilla lateral antes de encenderla.
2. Gire la perilla de control de la hornilla a la posición "OFF" (apagado).
3. Prenda y coloque un cerillo aproximadamente a 1/2" pulgada (1 a 2 cm) de la hornilla.
4. Gire la perilla de control de la hornilla lateral a la posición "HIGH" (llama fuerte). La hornilla debe encenderse en 5 segundos.
5. Si la hornilla no se enciende, gire la perilla de control a la posición "OFF" (apagado) y espere 5 minutos para que se disipe el gas y repita el procedimiento de encendido.
6. Si la hornilla no se enciende después de varios intentos con un cerillo, entonces hay un problema con el suministro de gas. Cierre el gas en la hornilla y en el cilindro. **NO** trate de operar la parrilla hasta haber encontrado y corregido el problema. Consulte la sección de "Identificación y corrección de problemas" de este manual.

Nota: Observe llame: Llama debería estar azul/amarillo entre 1"-2" cuando esta en "HIGH" (llama fuerte)



APAGADO DE LA PARRILLA:

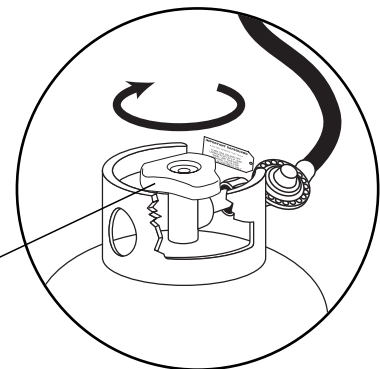
1. Cierre la válvula del cilindro.
2. Gire todas las perillas de control de las hornillas a la posición "OFF" (apagado).

Nota: Apague el cilindro de propano líquido primero para evitar que quede gas en el sistema bajo presión.

⚠ PRECAUCIÓN:

- La válvula del cilindro siempre debe estar en la posición de apagado o cerrada cuando la parrilla no está en uso

Para cerrar la válvula del cilindro, gire la perilla en sentido horario hasta que se detenga.



ADVERTENCIA

OPERACIÓN DE LA PARRILLA:

Nunca use briquetas de carbón en una parrilla de gas. Los pedacitos de madera para dar sabor se deben colocar en una cajita de fumar de metal para contener la ceniza y para prevenir fuegos. Lea y siga todas las advertencias e instrucciones indicadas en las secciones anteriores de este manual.

PREPARACIÓN DE LA PARRILLA PARA USARLA POR PRIMERA VEZ:

- Debido al proceso de fabricación y preservación de los componentes de la parrilla, puede haber residuo de aceite presente en la hornillas y en las superficies de cocción de la parrilla.
- Antes de cocinar por primera vez en la parrilla, precaliéntela durante 15 minutos en "HIGH" (llama fuerte) para quemar este aceite residual.

PRECALENTAMIENTO DE LA PARRILLA:

- Se recomienda que precaliente la parrilla antes de usarla. Esto asegura que las superficies para cocinar estén a las temperaturas deseadas para dorar los azúcares de los alimentos cuando cocine. Después de encender la parrilla, coloque las perillas de control de las hornillas principales a la posición "HIGH" (llama fuerte) durante 10 a 15 minutos. Cierre la cubierta durante el período de precalentamiento.

CONTROL DE LAS LLAMARADAS:

- Las llamaradas son parte de cocinar carnes en una parrilla de gas. Esto agrega un sabor único a los alimentos cocinados en una parrilla de gas. Las llamaradas excesivas pueden cocinar demasiado los alimentos y producir una situación peligrosa para usted y la parrilla. Las llamaradas excesivas son el resultado de la acumulación de grasa en la sección inferior de la parrilla. Si esto ocurre, NO eche agua a las llamas. Esto puede producir salpicaduras de grasa y causar quemaduras graves o lesiones corporales. Si la grasa produce un incendio, cierre la tapa y apague las hornillas principales hasta que la grasa se queme. Tenga cuidado cuando abra la tapa ya que se pueden producir llamaradas repentinas.

ADVERTENCIA

- **NO deje la parrilla desatendida mientras está en uso.**
- **NO mueva la parrilla cuando esté en uso. Trabe las ruedas en posición para estabilizar la parrilla.**
- **NO utilice agua para apagar las llamaradas.**
- **Tenga a mano un extinguidor de incendios adecuado para usar con artefactos a gas.**

PARA REDUCIR AL MÍNIMO LAS LLAMARADAS:

- Recorte el exceso de grasa de la carne antes de cocinarla.
- Cocine la carne con alto contenido de grasa (pollo o puerco) con llama suave o indirecta.
- Verifique que la parrilla está sobre suelo nivelado y que la grasa puede salir de la parrilla a través del agujero de drenaje en la sección inferior y acumularse en la gaveta para grasa.

COCCIÓN INDIRECTA:

- La cocción indirecta es el proceso de cocinar sus alimentos sin que la fuente de calor esté directamente debajo de los mismos. Puede dorar carnes sobre una llama fuerte en un lado de la parrilla y cocinar lentamente un asado en el otro lado (sin encender) de la parrilla.

COCCIÓN ESTILO ROTISSERIE:

- La parrilla viene preparada de la fábrica con agujeros de montaje para instalar un asador estilo rotisserie (vendido aparte). No use un asador estilo rotisserie que no haya sido fabricado especialmente para esta parrilla.
- Lea y siga todas las instrucciones incluidas con el asador estilo rotisserie. Guarde las instrucciones para referencia futura.
- No use la hornilla lateral cuando esté usando un asador estilo rotisserie.

ADVERTENCIA

- **Cuando use un asador estilo rotisserie de corriente alterna, debe estar conectado a tierra de acuerdo con los códigos locales o, si no los hay:**
 - En EE.UU.: El Código Eléctrico de EE.UU. – ANSI-NFPA Nº 70 – última edición
 - En Canadá: el Código Eléctrico Canadiense – CSA C22.1
- El asador estilo rotisserie está equipado con un enchufe de tres clavijas para proteger al usuario contra el electrochoque. Este enchufe debe conectarse directamente a un receptáculo para tres clavijas conectado correctamente a tierra. Nunca corte o quite el enchufe de conexión a tierra. Cualquier cable de extensión también debe tener un receptáculo para tres clavijas.
- Todos los cables de suministro eléctrico deben mantenerse alejados del agua y de las superficies calientes de la parrilla.

USO DE OTRAS FUNCIONES DE LA PARRILLA:

LA HORNILLA LATERAL:

- La hornilla lateral puede usarse para preparar platillos de acompañamiento como frijoles, papas, maíz o para calentar salsas.
- La válvula de la hornilla debe ajustarse de llama fuerte a llama suave de acuerdo con sus exigencias de cocina.

ADVERTENCIA

- Lea las instrucciones de encendido de la parrilla para encender la hornilla lateral.
- Nunca cierre la tapa de la hornilla lateral cuando esté encendida.
- Utilice una olla de 10 pulgadas de diámetro o más pequeña SIN mango extendido cuando cocine en la hornilla lateral. Centre la olla sobre la hornilla.
- Nunca coloque más de 15 libras sobre la hornilla lateral. La hornilla lateral no está construida para soportar más de 15 libras de peso.
- Sea precavido para evitar chocar contra la parrilla, la hornilla lateral o la olla para evitar derramar el contenido de la olla y prevenir las quemaduras graves.
- NO utilice la hornilla lateral para freír alimentos en aceite, evitando así los peligros asociados con el encendido del aceite y la creación de una situación peligrosa.

RECOMENDACIONES PARA COCINAR EN LA PARRILLA

LIMPIEZA

- Siempre lávese bien las manos con agua caliente y jabón antes de manipular alimentos y después de tocar carne, pollo o mariscos crudos.
- Cuando utilice una fuente para llevar carne, pollo o mariscos crudos a la parrilla, asegúrese de lavar bien la fuente con agua caliente y jabón antes de colocar alimentos cocidos en ella, o utilice fuentes distintas para los alimentos crudos y cocidos.
- Nunca utilice los mismos utensilios para manipular carne cruda, pollo crudo o mariscos, a menos que los lave bien con agua caliente y jabón.
- Nunca reutilice el adobo de la carne o pollo crudo en alimentos ya cocidos y listos para servir.

COCINAR A LA PARRILLA A LA TEMPERATURA APROPIADA

- Utilice un termómetro para carne para verificar que haya alcanzado una temperatura interna segura. Puede ordenar un termómetro de calidad comercial de Brinkmann. Para obtener más información sobre este producto y otros accesorios Brinkmann, consulte las páginas de accesorios al final de este manual.
- El Departamento de Agricultura de EE.UU. recomienda que los siguientes alimentos alcancen las siguientes temperaturas **mínimas**:

Chuletas145 grados F (62.8° C)

Carne molida160 grados F (71° C)

Cerdo160 grados F (71° C)

Pollo180 grados F (82° C)

Asados145 grados F (62.8° C)

Mariscos140 grados F (60° C)

Verduras145 grados F (62.8° C)

RECOMENDACIONES ÚTILES

- Si precocina carne o pollo, hágalo inmediatamente antes de cocinarlo en la parrilla.
- Nunca descongele carne a la temperatura ambiente o sobre un mostrador.
- Refrigere los restos a más tardar 2 horas después de haber sacado la comida de la parrilla.
- Para mayor información, llame a la Línea de Información sobre Carne y Pollo de USDA al número sin cargo 800-535-4555.

CUIDADO Y MANTENIMIENTO APROPIADOS

- Para proteger su parrilla contra la oxidación excesiva, manténgala limpia y cubierta todo el tiempo cuando no la esté usando. Una cobertura para su parrilla se puede solicitar directamente de Brinkmann llamando 800-468-5252 o 800-527-0717.
- Lave las rejillas para cocinar y las placas de distribución de calor con agua jabonosa caliente, enjuáguelas bien y séquelas. Aplique una capa ligera de aceite vegetal líquido o en aerosol a las rejillas para cocinar.
- Limpie el interior y exterior de la parrilla con un paño húmedo. Aplique una capa ligera de aceite vegetal líquido o en aerosol a la superficie interior para impedir la oxidación.
- Si oxidación aparece en la superficie exterior de su parrilla, limpie y de brillo a la área afectada con lana de acero o papel de lija de esmeril. Retoque con pintura de alta-temperatura y de buena calidad.
- Mantenga exterior de parrilla limpia utilizando producto de limpieza para superficies de acero inoxidable.
- Nunca aplique pintura a la superficie interior. Las manchas de oxidación en la superficie interior pueden pulirse, limpiarse y luego cubrirse con una capa ligera de aceite vegetal líquido o en aerosol para reducir al mínimo la oxidación.

LIMPIEZA Y MANTENIMIENTO:

- Mantenga el artefacto alejado de materiales combustibles, gasolina u otros vapores o líquidos inflamables.
- Mantenga los orificios de ventilación del gabinete del cilindro sin residuos.
- Observe las llamas de las hornillas para verificar que estén funcionando bien (consulte el dibujo en "Instalación/Mantenimiento de las Hornillas" en la sección de Cuidado y mantenimiento apropiados). Las arañas y otros insectos pueden formar nidos en la hornilla y bloquear el paso del gas.
- Verifique lo siguiente por lo menos dos veces al año o después de largos períodos de almacenaje para cocinar sin peligro y obtener el mejor rendimiento de su parrilla.
- Asegúrese de apretar toda la tornillería (tuercas, pernos, tornillos, etc.) por lo menos dos veces por año.

⚠ PRECAUCIÓN: Algunas partes pueden tener bordes afilados. Use guantes de protección si es necesario.

- Retire las rejillas para cocinar, las placas de distribución de calor y las hornillas del interior de la parrilla. Utilice un cepillo con agua caliente y detergente para quitar el exceso de residuos. **NUNCA** use un limpiahornos comercial. Enjuague bien con agua. Seque con una toalla y reinstale todos los componentes en la forma descrita en las instrucciones de armado.

INSTALACIÓN/MANTENIMIENTO DE LAS HORNILLAS

- Si bien las hornillas están fabricadas de acero inoxidable, pueden oxidarse debido al calor extremo y a los ácidos de los alimentos. Inspeccione regularmente las hornillas para ver si tienen agujeros anormales y otras señales de daños por corrosión. Si detecta daños, reemplace la hornilla.
- **NO obstruya el flujo del aire de combustión y ventilación.** Las arañas u otros insectos pueden hacer nidos y bloquear los tubos de las hornillas. Los tubos bloqueados impiden que fluya gas a las hornillas y puede producirse un incendio en el tubo o debajo de la parrilla. Siga las instrucciones a continuación para limpiar el tubo y/o reemplazar partes de la hornilla, o si tiene dificultad para encender la parrilla.

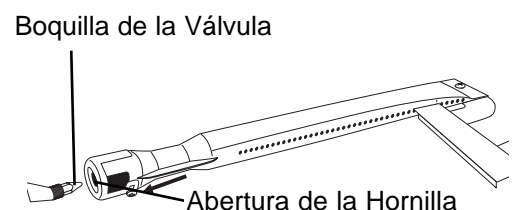
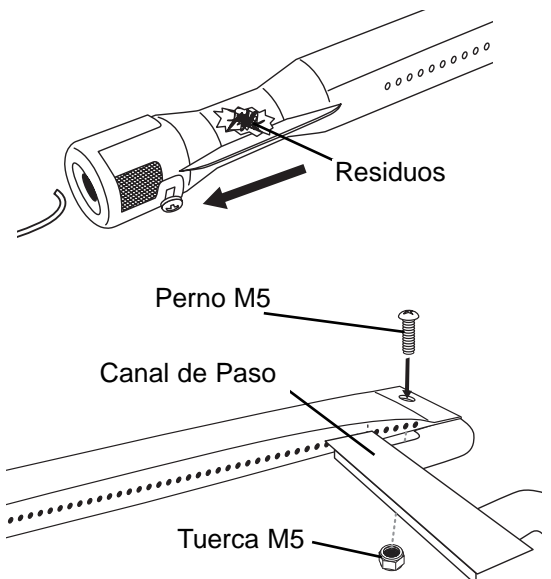
1. Apague el gas en las perillas de control y en la válvula del tanque del cilindro de propano líquido.
2. Retire las rejillas para cocinar y las placas de distribución del calor.
3. Retire los pernos debajo del "pie" de cada hornilla con un destornillador.
4. Levante cuidadosamente el canal de paso y retírelo de las hornillas.
5. Levante cuidadosamente cada hornilla y retírela de las aberturas de las válvulas.
6. Introduzca un cepillo angosto para botellas o un alambre doblado en forma de gancho pequeño en el tubo y en el orificio de la llama de cada hornilla varias veces.

Nota: Use protección para los ojos cuando ejecute el procedimiento 7.

7. Utilice aire comprimido para soplar el tubo de cada hornilla; el aire debe salir por los orificios de las llamas. Verifique que salga aire de cada orificio.
8. Limpie con un cepillo de alambre la superficie exterior completa de la hornilla para quitar los restos de alimentos y residuos.
9. Revise la hornilla para detectar daños; si nota grietas o agujeros grandes, reemplace la hornilla.

IMPORTANTE: La abertura de la hornilla debe deslizarse sobre la boquilla de la válvula.

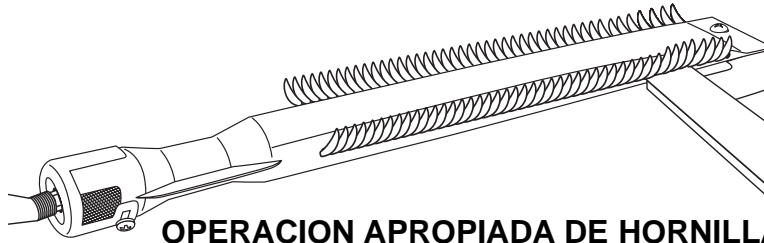
10. Reinstale CUIDADOSAMENTE las hornillas alineando el agujero del perno a la izquierda como ilustrado.
11. Instale nuevamente los pernos M5 y las tuercas M5 para cada hornilla y canal de paso.



CONTINUACION DE INSTALACIÓN/MANTENIMIENTO DE LAS HORNILLAS

Nota: Siga la sección "Verificación de Ausencia de Fugas" de este manual. Vuelva a encender las hornillas para verificar la operación apropiada)

12. Reinstale las placas de distribución del calor y las rejillas para cocinar.



OPERACION APROPIADA DE HORNILLA

REJILLAS PARA COCINAR

- Límpielas con agua y detergente de jabón suave. Se puede usar un cepillo con cerdas de latón o una esponja de limpieza de nilón para quitar los residuos de las superficies de acero inoxidable. No use cerdas de acero para limpiar las parrillas. El acero puede picar o agrietar el acabado. NO use un limpiahornos comercial.

PLACAS DE DISTRIBUCIÓN DEL CALOR

- Puede ser necesario inspeccionar y limpiar periódicamente la placa de distribución de calor para evitar la acumulación excesiva de grasa. Retire la rejilla para cocinar cuando la parrilla esté fría. Inspeccione las placas de distribución de calor y reemplácelas si están rotas o dañadas. No permita que las placas de distribución de calor se dañen hasta el punto que puedan caerse sobre las hornillas. Reemplace las placas de distribución de calor y las rejillas para cocinar y encienda las hornillas. Haga funcionar la parrilla en "HIGH" (llama fuerte) durante 10 minutos para quitar el exceso de grasa.

⚠ ADVERTENCIA

TRANSPORTE Y ALMACENAJE:

- **Nunca mueva una parrilla cuando está caliente o con objetos sobre las superficies de cocción.**
- **Asegúrese de que la válvula del cilindro esté cerrada. Después de mover la parrilla, verifique que no haya fugas en ninguna de las conexiones de gas. Consulte las instrucciones para las Pruebas de detección de fugas.**
- **NO guarde un cilindro de gas de propano líquido de reserva (lleno o vacío) debajo o cerca de la parrilla.**
- **Nunca guarde líquidos inflamables o latas de aerosol debajo o cerca de la parrilla.**
- **NO apague incendios de grasa con agua.**
- **Si el artefacto a gas para cocinar al aire libre no está en uso, se debe apagar el gas en el cilindro de suministro.**
- **Se permite guardar un artefacto a gas para cocinar al aire libre en un área interior sólo si el cilindro se desconecta y se retira del artefacto.**
- **Los cilindros deben guardarse afuera, fuera del alcance de los niños y no en un área interior, garaje u otra área cerrada.**
- **Podría haber nidos de arañas u otros residuos bloqueando la hornilla cuando saque la parrilla del almacenaje. Consulte "Instalación/Mantenimiento de las Hornillas" en la sección de Cuidado y mantenimiento apropiados.**

ANTES DE GUARDAR LA PARRILLA:

- Verifique que la válvula del cilindro está bien cerrada.
- Limpie todas las superficies.
- Aplique una capa ligera de aceite para cocinar a las hornillas para evitar la oxidación excesiva.
- Si va a guardar la parrilla en un área interior, desconecte el tanque de propano líquido y déjelo AFUERA.
- Coloque una tapa de protección sobre el tanque de propano líquido y guarde el tanque afuera en un área bien ventilada y fuera de la luz directa del sol.
- Limpie la hornilla antes de usar después del almacenaje, al comienzo de la temporada de uso de la parrilla o si no usa la parrilla por un mes. Las arañas y otros insectos pueden formar nidos en los tubos de las hornillas (especialmente durante los meses de frío). Estos nidos pueden producir llamaradas en los tubos de las hornillas o debajo de la parrilla.
- Si está guardando la parrilla afuera, cúbrala con la cubierta para protegerla del tiempo.

IDENTIFICACIÓN Y CORRECCIÓN DE PROBLEMAS

Problema:	Causas posibles:
<ul style="list-style-type: none"> • La hornilla no enciende 	<ol style="list-style-type: none"> 1. Revise el nivel de combustible en el cilindro de propano líquido. 2. Chispa de electrodo defectuosa. Vea si puede encender la parrilla con un cerillo. Puede ser necesario ajustar el electrodo o colector. 3. Es posible que la hornilla no esté bien asentada. 4. Es posible que la hornilla esté obstruida. 5. Es posible que la válvula del cilindro esté cerrada. 6. El regulador no está asentado correctamente sobre la válvula del cilindro.
<ul style="list-style-type: none"> • Llamas en la perilla de control 	<ol style="list-style-type: none"> 1. Es posible que los agujeros de la hornilla estén obstruidos. Consulte "Instalación/Mantenimiento de las Hornillas" en la sección de Cuidado y mantenimiento apropiados. 2. La hornilla está asentada incorrectamente sobre la válvula de control. 3. Las conexiones de gas pueden estar sueltas. Revise para verificar que no haya fugas y ajuste todas las conexiones.
<ul style="list-style-type: none"> • Llamas amarillas en la hornilla 	<ol style="list-style-type: none"> 1. La hornilla está obstruida. Consulte "Instalación/Mantenimiento de las Hornillas" en la sección de Cuidado y mantenimiento apropiados.
<ul style="list-style-type: none"> • La llama se apaga en la posición "LOW" (llama suave) 	<ol style="list-style-type: none"> 1. Es posible que los agujeros de la hornilla estén obstruidos. Consulte "Instalación/Mantenimiento de las Hornillas" en la sección de Cuidado y mantenimiento apropiados. 2. La parrilla no se precalentó lo suficiente. 3. La hornilla está asentada incorrectamente sobre la válvula de control.
<ul style="list-style-type: none"> • La hornilla no se calienta lo suficiente 	<ol style="list-style-type: none"> 1. Se activó el dispositivo de control de flujo en el regulador. Consulte el Procedimiento de reposición del regulador en la sección Conexión del cilindro de propano líquido y de la manguera / regulador a la parrilla.
<ul style="list-style-type: none"> • La parrilla está demasiado caliente 	<ol style="list-style-type: none"> 1. Acumulación excesiva de grasa produce llamaradas. 2. Regulador dañado o defectuoso. Reemplácelo con partes autorizadas de fábrica. 3. Cocine en una posición de temperatura más baja.

PREGUNTAS FRECUENTES

El número de modelo y número de serie de la parrilla y la información para contactarse con el Servicio de atención al cliente de Brinkmann se incluyen en una etiqueta plateada abajo del panel de control o en el costado de la caja de la misma, debajo del estante lateral y también atrás del asador en el panel.

Estas preguntas y respuestas son para su conocimiento general y podrían no ser aplicables a su modelo de parrilla.

Pregunta: ¿Por qué mi parrilla no enciende correctamente?

Respuesta: Siempre siga las instrucciones de encendido indicadas en el panel de control o en este manual. También revise estas causas:

- Revise el suministro de gas de propano líquido.
- Verifique que todas las conexiones de gas están seguras.
- Quizás sea necesario reemplazar la pila AA del encendedor.
- Los cables de encendido pueden estar sueltos. Quite la pila, inspeccione la caja de conexiones del encendedor situada detrás del panel de control y conecte los cables sueltos.
- Puede ser necesario reemplazar las puntas de los electrodos de chispa. Con el suministro de gas cerrado y la perilla de control en la posición "OFF" (apagado), presione el botón del encendedor y haga que otra persona verifique la presencia de una chispa en las puntas de los electrodos. El espacio entre la punta del electrodo de chispa y el receptor de chispa debe ser de aproximadamente 3/16 pulg. Si es necesario ajustar la punta del electrodo, dóblela para dejar el espacio apropiado.
- Verifique que el extremo del tubo venturi de cada hornilla está situado correctamente sobre su accesorio del orificio de la válvula de gas.
- Puede haber una obstrucción en la línea de gas. Para corregirla, quite la manguera / regulador de gas de propano líquido o la línea combustible de gas natural de la parrilla. Abra el suministro de gas durante un segundo para determinar si hay obstrucción. Si no hay obstrucción, reconecte la línea de combustible. Si la línea de combustible está bloqueada, reemplácela con un nuevo conjunto de manguera / regulador.
- Si sospecha una obstrucción en el conjunto de la manguera / regulador, en el orificio o en las válvulas de gas, llame al Servicio de atención al cliente de Brinkmann al 800-527-0717.

Pregunta: ¿Por qué mi parrilla de gas de propano líquido tiene una llama suave o de color anaranjado / amarillo?

Respuesta: Es necesario purgar el aire de la línea de gas o reposicionar el dispositivo limitador de flujo del regulador. Si se abre la válvula por completo o demasiado rápido, se activa el dispositivo limitador de flujo del regulador para que apague el flujo de gas, lo cual impide que fluya demasiado gas a la parrilla. NOTA: Se debe seguir este procedimiento cada vez que se conecte un nuevo tanque de gas de propano líquido a la parrilla:

REPOSICIÓN DEL DISPOSITIVO LIMITADOR DE FLUJO DEL REGULADOR

- Gire la perilla de control a la posición "OFF" (apagado).
- Apague el tanque de gas de propano líquido en la válvula del cilindro.
- Desconecte el regulador del tanque de gas de propano líquido.
- Deje estar durante dos minutos.
- Reconecte el regulador al tanque de gas de propano líquido.
- Abra la tapa de la parrilla o de la hornilla lateral. Gire lentamente la válvula del cilindro a 1/4 ó 1/2 abierta.
- Encienda la parrilla siguiendo las instrucciones en el panel de control o en el manual del propietario

Pregunta: ¿Cómo y cuándo limpio los componentes de cocción interiores de la parrilla?

Respuesta: Use un cepillo de limpieza de fibra o latón para limpiar el interior de la parrilla, las rejillas para cocinar, las placas de distribución de calor y los recipientes de grasa. Nunca use un cepillo de alambre o raspador metálico en las partes de acabado de porcelana ya que puede rayar o estropear el acabado de porcelana y fomentar la oxidación.

PREGUNTAS FRECUENTES

Limpieza de las rejillas para cocinar de acero inoxidable: Lave las rejillas con un detergente suave y enjuáguelas con agua caliente antes del uso inicial y según sea necesario. NO use un limpiahornos comercial. Para residuos de alimentos persistentes, utilice un desgrasador y un cepillo de limpieza de fibra o latón.

Limpieza de rejillas para cocinar de hierro fundido con acabado de porcelana: Lave las rejillas con un detergente suave y enjuáguelas con agua caliente antes del uso inicial y según sea necesario. Para residuos de alimentos persistentes, utilice un desgrasador y un cepillo de limpieza de fibra o latón. Séquelas de inmediato con un paño suave o toallas de papel.

Limpieza de la placa de distribución de calor: Las placas de distribución de calor se deben limpiar cada vez que se acumula comida o gotas de grasa para reducir la posibilidad de llamaradas. Lave las placas de distribución de calor con un detergente suave y enjuáguelas con agua caliente. Para residuos de alimentos persistentes, utilice un desgrasador y un cepillo de limpieza de fibra o latón. Nunca use un cepillo de alambre o raspador metálico en las placas de distribución de calor con acabado de porcelana ya que puede rayar o estropear el acabado de porcelana y fomentar la oxidación.

Limpieza de la bandeja para grasa y/o la gaveta para grasa: Es necesario inspeccionar la bandeja para grasa y/o gaveta para grasa (en algunos modelos) antes de cada uso de la parrilla para reducir la probabilidad de incendio. Quite la grasa (una espátula de plástico funciona bien) y lave todas las partes con jabón suave o desgrasador y una solución de agua tibia

Pregunta: ¿Qué es lo que causa la oxidación de las partes de la parrilla y cuál es su efecto en los materiales de la misma?

Respuesta: La oxidación es un proceso natural que puede ocurrir en piezas de hierro fundido y acero. La oxidación no afectará el funcionamiento a corto plazo de la parrilla. Las partes de la parrilla de acero inoxidable no se oxidarán. Sin embargo, la exposición a la intemperie y el calor extremo pueden hacer que la tapa de acero inoxidable se torne de un color bronce. Esto es decoloración, no oxidación, y no se considera un defecto de fabricación.

Pregunta: ¿Por qué la tapa de la parrilla de acero inoxidable se descolora y cómo la puedo limpiar?

Respuesta: El humo, la exposición a la intemperie y el calor extremo pueden hacer que la tapa de acero inoxidable se torne de un color bronce. Esto no debe confundirse con oxidación y no es un defecto del producto. Los aceites para maquinaria utilizados en el proceso de fabricación del acero inoxidable, y también el aceite para cocinar y la tapa sucia de la parrilla pueden fomentar la decoloración de la tapa si no se limpian antes de usar la parrilla. Después de armar la parrilla, quite la película de protección de PVC de la tapa y utilice un limpiador de acero inoxidable y un paño suave para quitar el adhesivo residual y los aceites de adentro y afuera de la tapa. Nunca use limpiadores o fregadores abrasivos. Además de la limpieza inicial, la limpieza de rutina para quitar el polvo, la grasa y los aceites ayudará a prevenir la decoloración de la tapa.

Pregunta: ¿Puedo convertir la parrilla de gas de propano a gas natural?

Respuesta: La mayoría de parrillas de gas están fabricadas de acuerdo con especificaciones exactas y están certificadas únicamente para uso con gas de propano o gas natural. Sin embargo, algunos modelos pueden convertirse con seguridad utilizando juegos de conversión disponibles para ciertos modelos. Por favor llame a servicio al cliente de Brinkmann al 800-527-0717 para averiguar si su parrilla su puede convertir.

Pregunta: ¿Por qué el conjunto de la manguera / regulador incluido con mi parrilla no calza en el tanque de gas de propano líquido antiguo que he usado durante años?

Respuesta: El Gobierno de EE.UU. regula los artefactos de gas y los tanques de gas de propano líquido. Los conectores del tanque de gas de propano líquido fueron actualizados para garantizar el cumplimiento de los reglamentos que fueron cambiados. Si su tanque de gas de propano líquido no calza en la manguera /regulador suministrado con su nueva parrilla, el tanque está obsoleto y debe ser reemplazado. Nota: A partir del 1º de abril de 2002, todos los tanques de gas de propano líquido deben incluir un dispositivo "OPD" de protección contra el sobreflujo. Este dispositivo interno impide que un tanque de gas de propano líquido se llene en exceso. Los tanques sin una válvula OPD no pueden volver a llenarse.

Pregunta: Algunas veces escucho un zumbido proveniente del regulador de gas. ¿Debo preocuparme de eso?

Respuesta: El zumbido se debe al flujo de gas a través del regulador. Un poco de ruido es normal y no interfiere con el funcionamiento de la parrilla. Si el zumbido es fuerte y excesivo, puede ser necesario purgar el aire de la línea de gas o reposicionar el dispositivo limitador de flujo del regulador siguiendo el Procedimiento de reposición del regulador en la sección "Conexión del cilindro de propano líquido y de la manguera / regulador a la parrilla. Se debe seguir este procedimiento cada vez que se conecte un nuevo tanque de gas de propano líquido a la parrilla. Si necesita ayuda, consulte el manual del propietario o llame al Servicio de atención del cliente de Brinkmann al 800-527-0717.

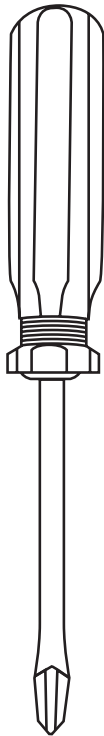
CONTENIDO DE LA BOLSA DE PARTES

Verifique que tiene todos los artículos indicados en la **LISTA DE PARTES** y en el **CONTENIDO DE LA BOLSA DE PARTES** antes de comenzar con el proceso de instalación.

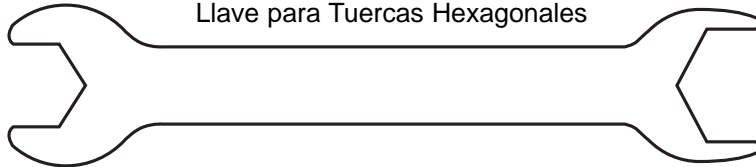
La bolsa de partes incluirá lo siguiente:

Cant.		Cant.	
1	Destornillador	4	Pernos Hexagonales M6 X 12mm (Plateados)
1	Llave para Tuercas Hexagonales	4	Arandelas de Cerradura (Plateados)
35	Pernos M6 X 12mm (Negros)	20	Arandelas de Estrella (Negros)
1	Pila Alcalina AA/1.5 V	2	Tornillos Autorroscantes #8 (Negros)

Destornillador



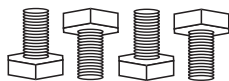
Llave para Tuercas Hexagonales



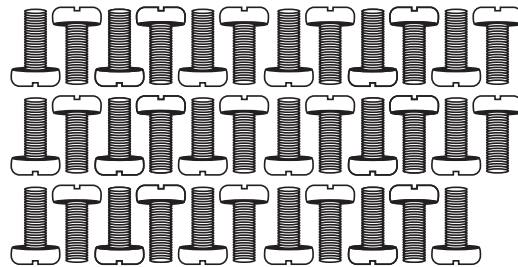
Pila Alcalina AA/1.5 V



Pernos Hexagonales M6 X 12mm (Plateados)



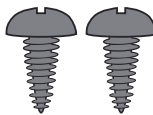
Pernos M6 X 12mm (Negros)



Arandelas de Cerradura (Plateados)



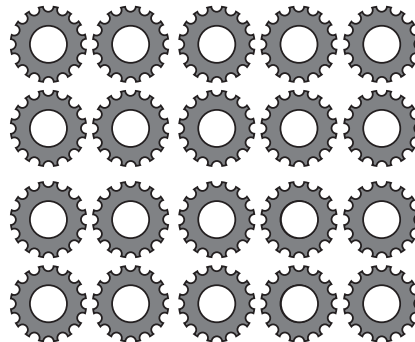
Tornillos Autorroscantes #8 (Negros)



Tuercas M6 (Negras)



Arandelas de Estrella (Negros)



INSTRUCCIONES DE ARMADO

**▲ LEA DETENIDAMENTE TODAS LAS ADVERTENCIAS DE SEGURIDAD
E INSTRUCCIONES ANTES DE ARMAR Y USAR LA PARRILLA**

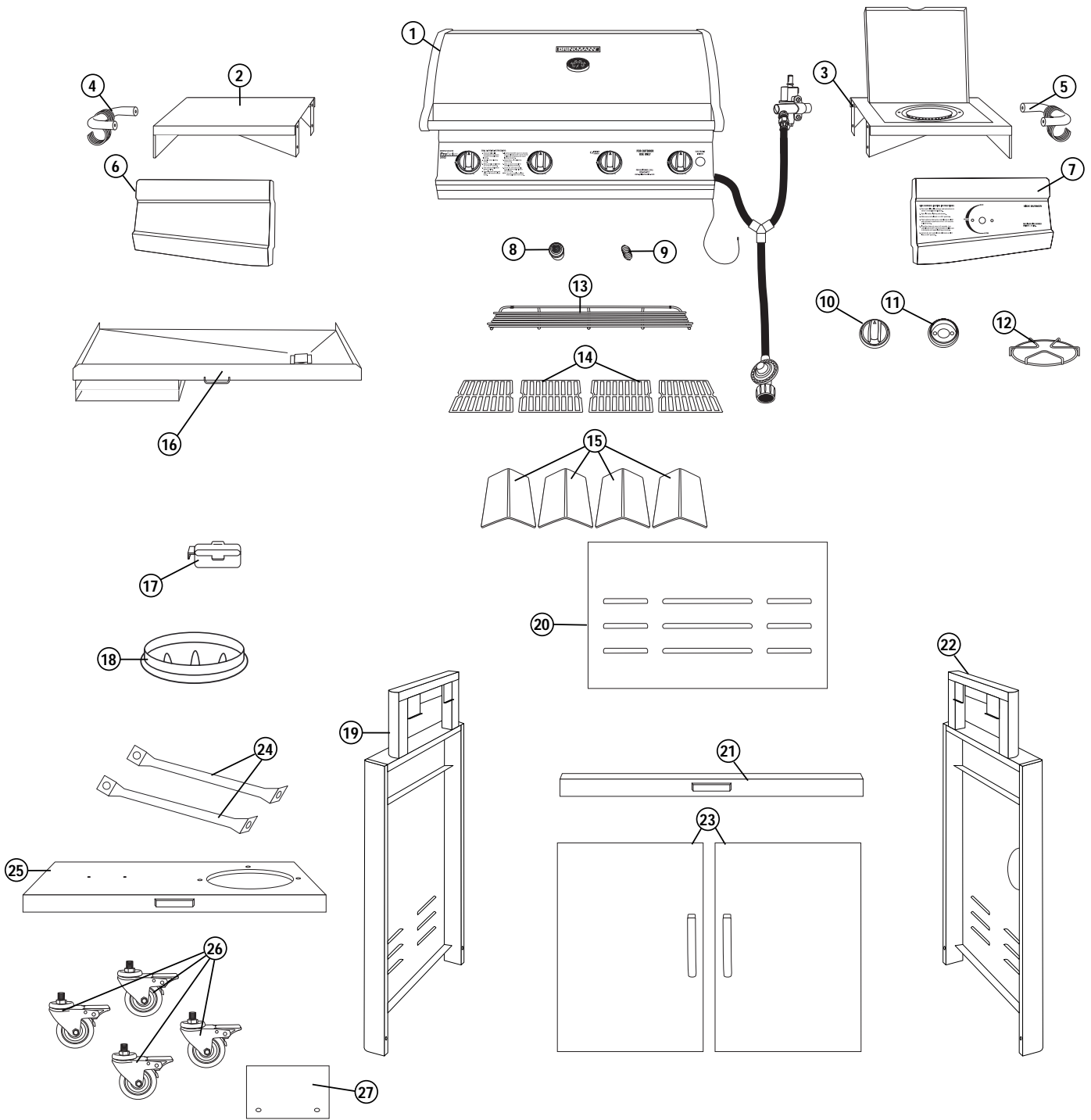
RECOMENDAMOS QUE ESTA UNIDAD SEA ARMADA POR DOS PERSONAS

Se necesitan las siguientes herramientas incluidas para armar esta Parrilla de Gas ProSeries™ 8445:

- Destornillador
- Llave para Tuercas Hexagonale

LISTA DE PARTES:

①	1	Conjunto del Cuerpo de la Parrilla	⑩	1	Perilla de la Hornilla Lateral
②	1	Mesa Lateral Izquierda	⑪	1	Bisel de la Hornilla Lateral
③	1	Conjunto de la Hornilla Lateral	⑫	1	Rejilla de la Hornilla Lateral
④	1	Toallero de Mesa Lateral	⑬	1	Rejilla para Calentar
⑤	1	Toallero de Hornilla Lateral	⑭	4	Rejillas para Cocinar
⑥	1	Panel Frontal de la Mesa Lateral Izquierda	⑮	4	Placas de Distribución de Calor
⑦	1	Panel Frontal de la Hornilla Lateral	⑯	1	Bandeja para la Grasa con Escudo de Calor
⑧	1	Botón del Encendedor Electrónico	⑰	1	Gaveta para Grasa
⑨	1	Resorte del Encendedor Electrónico	⑱	1	Soporte para Tanque
			⑲	1	Panel Izquierdo del Carro
			⑳	1	Panel Trasero
			㉑	1	Soporte para la Puerta
			㉒	1	Panel Derecho del Carro
			㉓	2	Puertas
			㉔	2	Barras para detener Tanque
			㉕	1	Base del Carro
			㉖	4	Ruedas Trabables
			㉗	1	Escudo Contra Calor para Manguera



PARA CUBIERTAS, ACCESORIOS Y OTROS PRODUCTOS, FAVOR DE VISITARNOS POR LA RED MUNDIAL EN: www.brinkmann.net

PARA PARTES DE REEMPLAZO DE PARRILLA BAJO GARANTIA, FAVOR DE VISITARNOS POR LA RED MUNDIAL EN: www.grillpartsonline.com

(Se requerirá el comprobante de compra.)

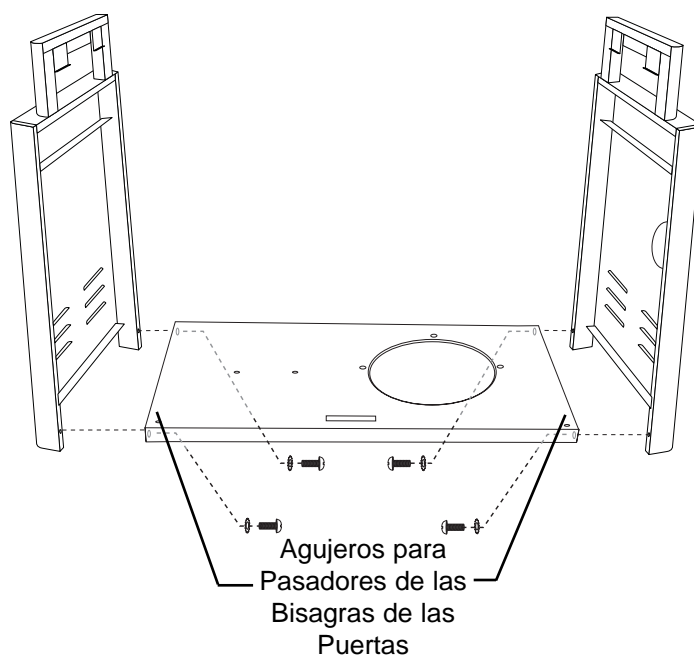
Inspeccione el contenido de la caja para verificar que todas las partes estén incluidas e intactas.

Elija un lugar adecuado y despejado para armar la parrilla y pídale a un amigo que le ayude. Tienda cartón sobre el suelo para proteger el acabado de la parrilla y el área de armado.

⚠ PRECAUCIÓN: Algunas partes pueden tener bordes afilados. Póngase guantes de protección si es necesario

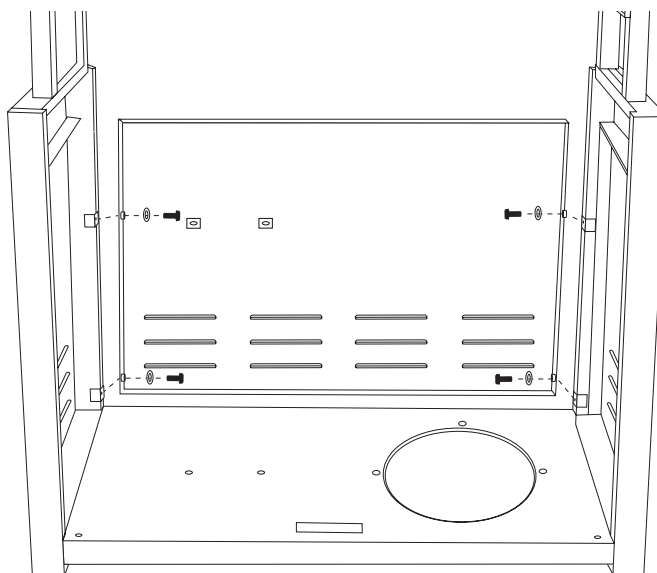
Paso 1

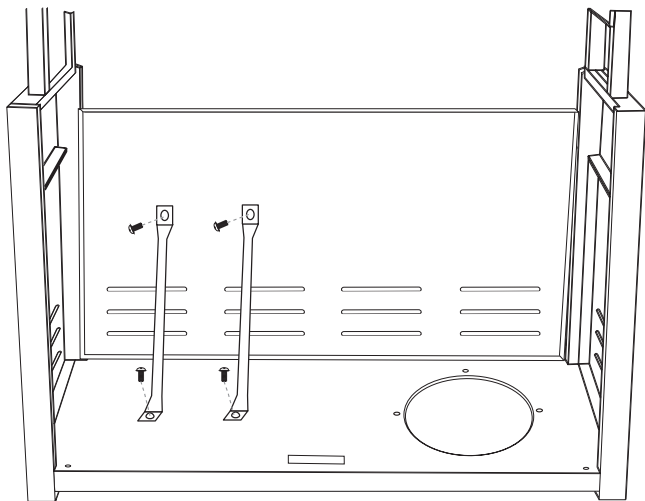
Conecte la base del carro a los paneles laterales. Inserte cuatro pernos M6 x 12mm (negros) y arandelas de estrella (negros) a través de la base del carro y en las piernas y apriételes bien. Asegúrese de que los hoyos de la bisagra queden enfrente.



Paso 2

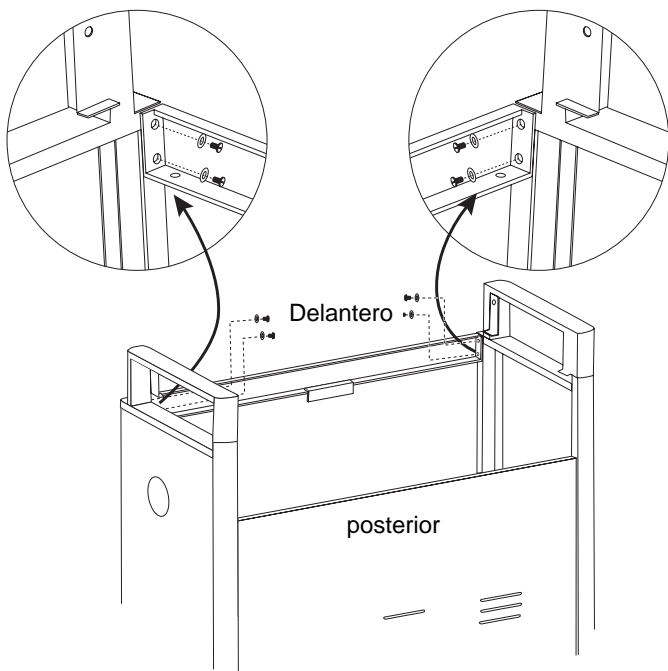
Ate el panel trasero al panel izquierdo y el panel derecho del carro usando cuatro pernos M6 X 12mm (negros) y arandelas de estrella (negras).





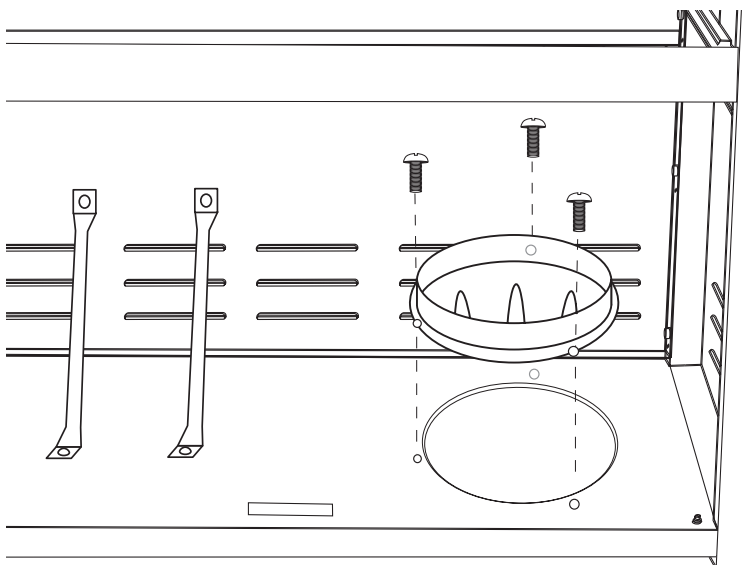
Paso 3

Ate las barras para detener el tanque a la base del carro y el panel lateral con cuatro pernos M6 x 12mm (negros).



Paso 4

Ate el soporte para la puerta con las piernas derecha e izquierda del carro usando cuatro pernos M6 X 12 mm (negros) y arandelas de estrella (negras).



Paso 5

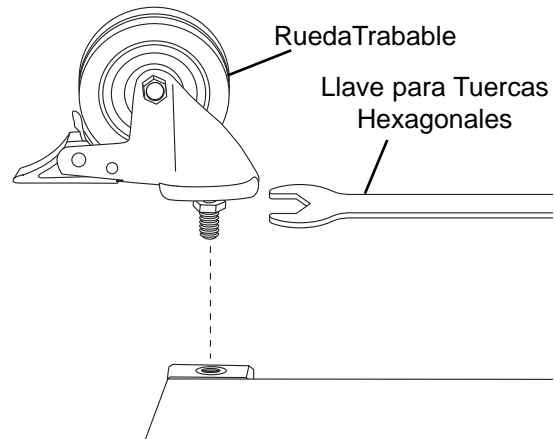
Ate el soporte para el tanque a la base del carro con tres pernos M6 X 12mm (negros).

Nota: Voltee el conjunto del carro con la ayuda de un amigo. Trate de minimizar la tensión sobre los paneles laterales.

Paso 6

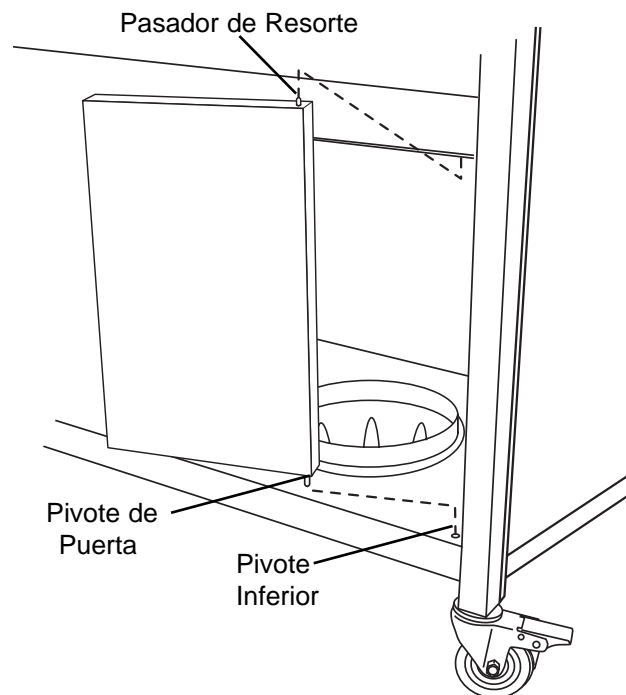
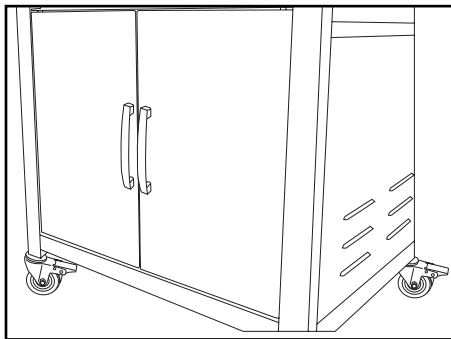
Instale las ruedas trabables en el extremo inferior de las piernas. Apriete bien los pernos de las ruedas con la llave para tuercas hexagonales incluida en el paquete de partes.

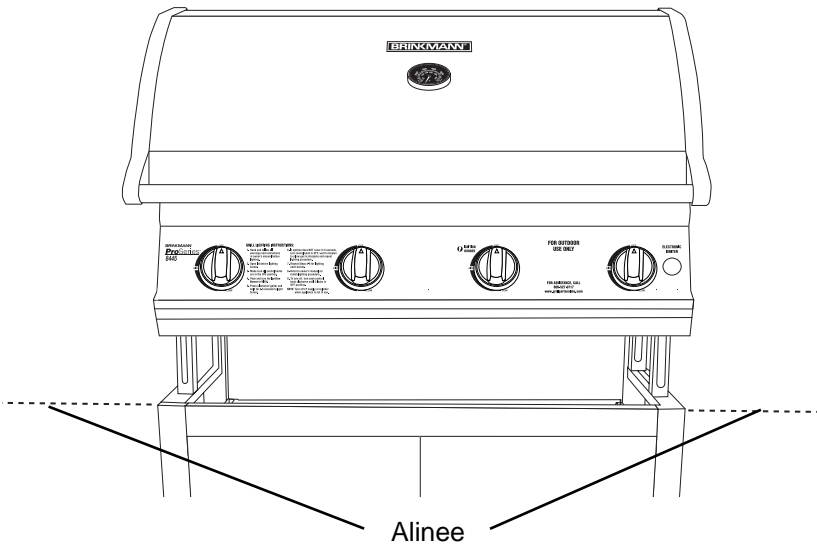
Nota: Voltee el conjunto del carro para que este de pie con la ayuda de un amigo. Trate de minimizar la tensión sobre las piernas. Trabe las ruedas para estabilizar la parrilla antes de llevar a cabo Paso 7.



Paso 7

Inserte el perno con resorte de bisagra de la puerta derecha al fondo de la puerta dentro del hoyo localizado en la puerta derecha del carrito. Entonces alinee la puerta con el soporte de la puerta. Suelte el perno con resorte de bisagra localizado arriba luego resbale la puerta hasta que el perno de bisagra inferior se puede soltar y agarrarse del soporte inferior. Repite el procedimiento para la otra puerta.

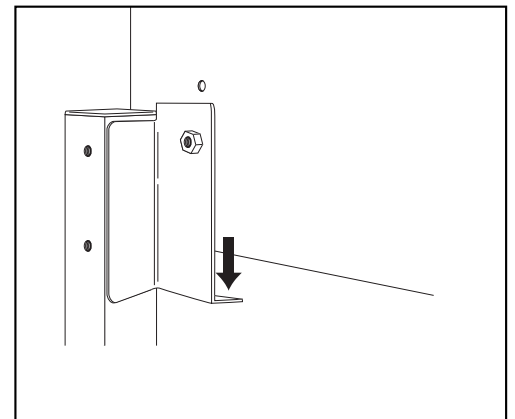
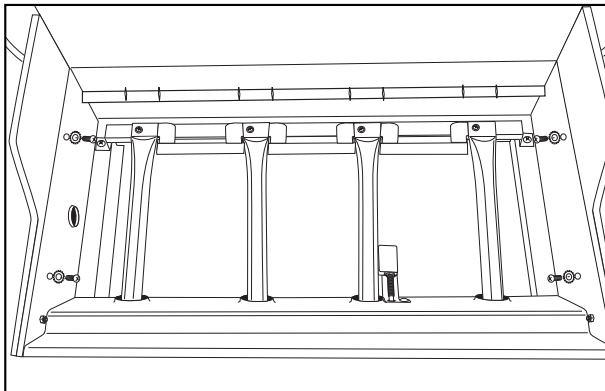




Nota: Cuando ejecute el Paso 8, levante la caja de la parrilla desde los paneles frontales y traseros para prevenir lesiones a las manos y dedos.

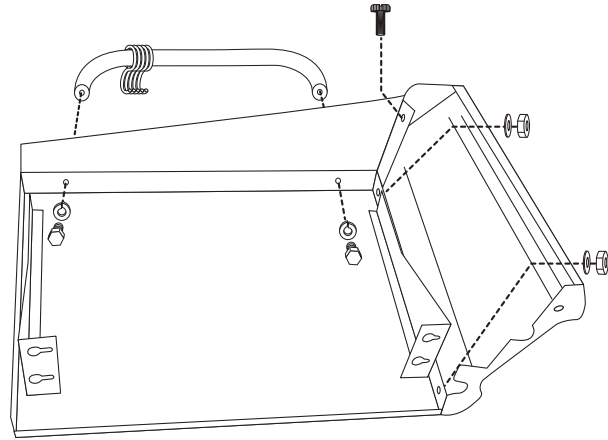
Paso 8

Con la ayuda de un amigo, coloque la caja de la parrilla sobre el bastidor del carro. La caja de la parrilla se apoyará sobre la base angular de los soportes verticales. Alinee los agujeros de los pernos situados en la sección exterior de la caja de la parrilla. Sujete con cuatro pernos M6 X 10mm (negros) y arandelas de estrella (negras).



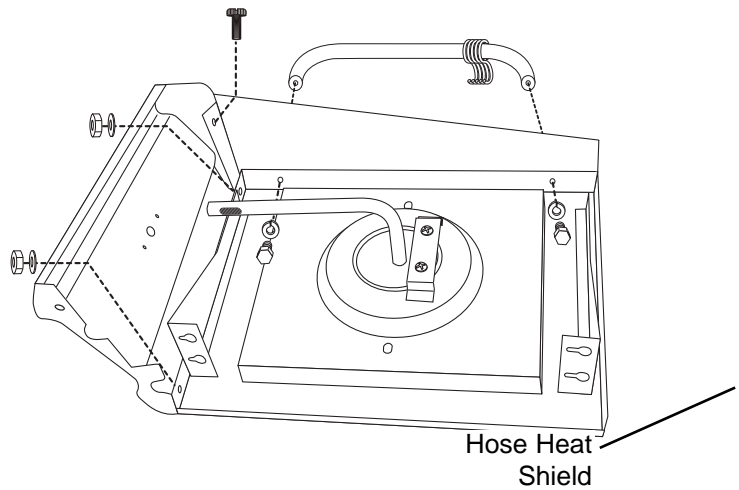
Paso 9

Conecte los ganchos al toallero de la mesa lateral. Ahora conecte la barra del toallero a la mesa lateral utilizando dos pernos hexagonales M6 X 12mm (plateados) y arandelas de resorte (plateados). Instale el panel frontal de la mesa lateral con un perno M6 X 12mm (negro) y dos tuercas M6 y arandelas de estrella (negras).



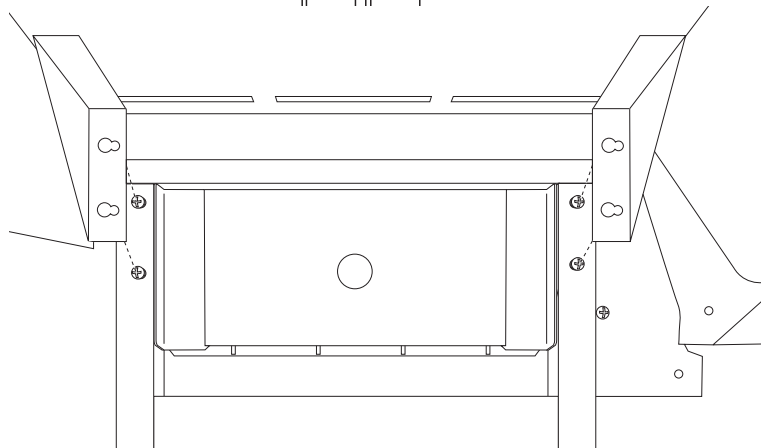
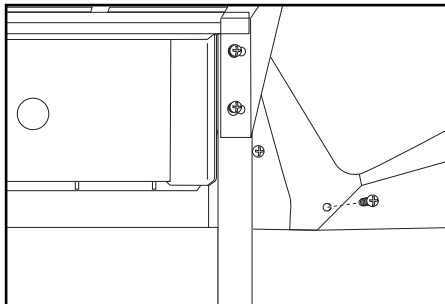
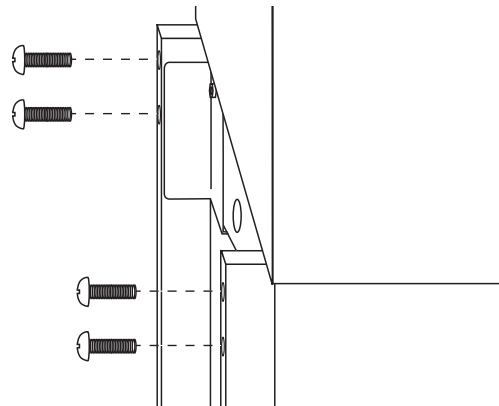
Paso 10

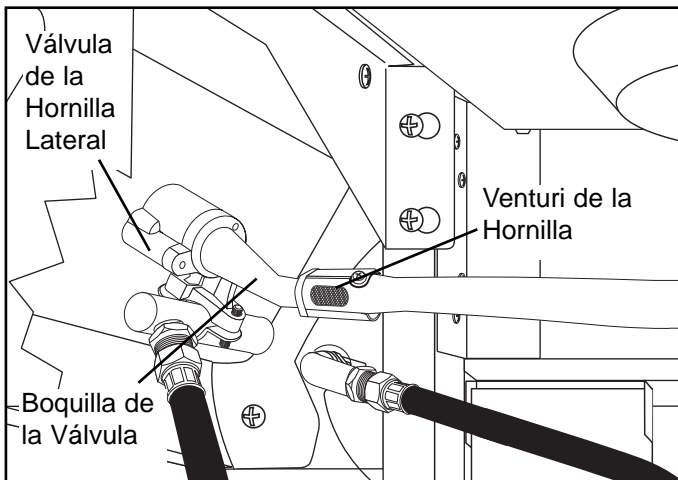
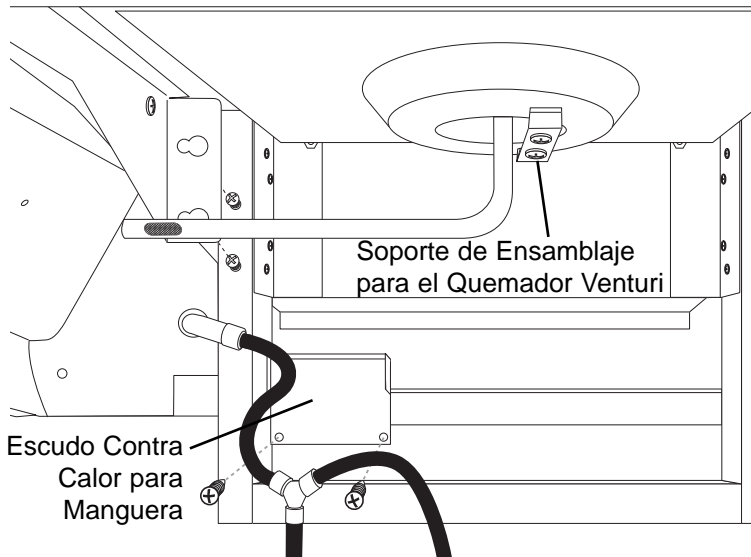
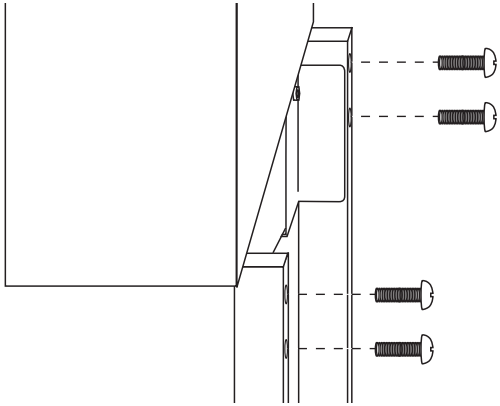
Conecte los ganchos al toallero de la hornilla lateral. Ahora conecte la barra del toallero al conjunto de la hornilla lateral utilizando dos pernos hexagonales M6 X 12mm (plateados) y arandelas de resorte (plateados). Instale el panel frontal de la hornilla lateral con un perno M6 X 12mm (negro) y dos tuercas M6 y arandelas de estrella (negras).



Paso 11

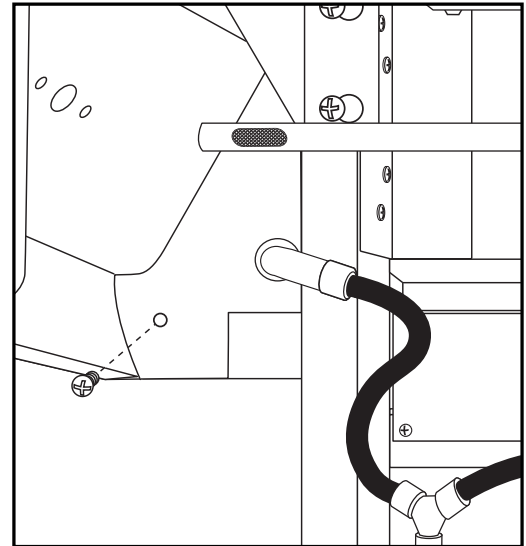
Instale la mesa lateral izquierda a el lado izquierdo del conjunto del carro. Inserte dos pernos M6 X 12mm (negros) en ambas piernas izquierdas a la mitad. Coloque la mesa sobre los pernos y deslícela hacia atras de la parrilla, luego apriete bien. Conecte el panel frontal de la mesa lateral a la caja de la parrilla con un perno M6 X 12mm (negros).





Paso 12

Instale el conjunto de la hornilla lateral al lado derecho del ensamblaje del carro. Inserte dos pernos M6 X 12mm (negros) en ambas piernas derechas a la mitad. Coloque el conjunto de la hornilla sobre los pernos y deslícelo hacia atrás de la parrilla, luego apriete bien. Conecte el panel delantero de la hornilla lateral a la caja de la parrilla con un perno M6 X 12mm (negros).



Paso 13

Ate el escudo contra calor para la manguera con dos tornillos auto-roscantes #8.

Paso 14

Con las arandelas, afloje los dos pernos M4 desde la parte inferior del soporte de ensamblaje del quemador. Gracias a ello, el quemador podrá moverse libremente mientras lleva a cabo el Paso 15.

Paso 15

Quite dos pernos M4 y las arandelas de la válvula del quemador lateral. Inserte el ensamblaje de la válvula del quemador lateral a través del agujero localizado en el panel frontal del quemador lateral y asiente la boquilla de la válvula en el quemador Venturi. Manténgala en su lugar mientras lleva a cabo el Paso 16.

⚠ ADVERTENCIA:

Nunca use la parrilla sin haber verificado que no hay fugas en las conexiones y mangueras de gas. Consulte los procedimientos apropiados en la sección de "Pruebas de detección de fugas" en este manual.

Paso 16

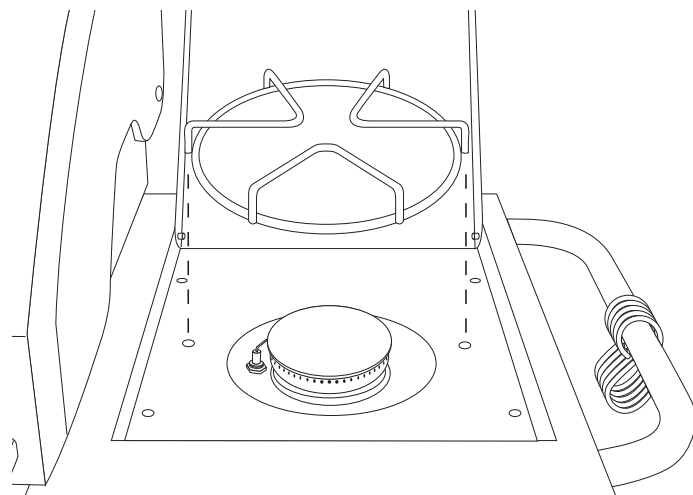
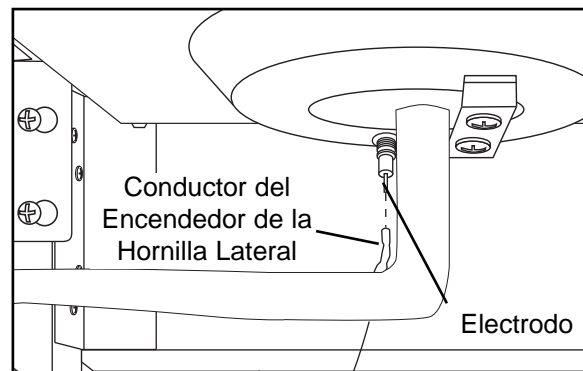
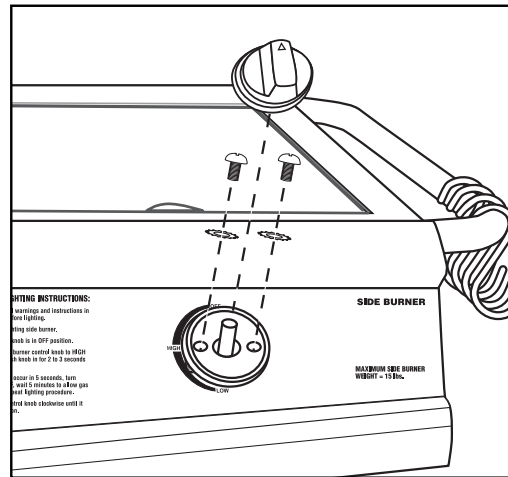
Coloque el bisel sobre el vástago de montaje de la perilla de control y sitúelo sobre los agujeros en la base y válvula de la hornilla lateral. Sujete con dos pernos M4 X 10mm con arandelas de resorte que vienen con la válvula. Instale la perilla de control del quemador lateral al vástago de la válvula y luego apriete los tornillos del ensamblaje del quemador y del soporte aflojados en el Paso 14.

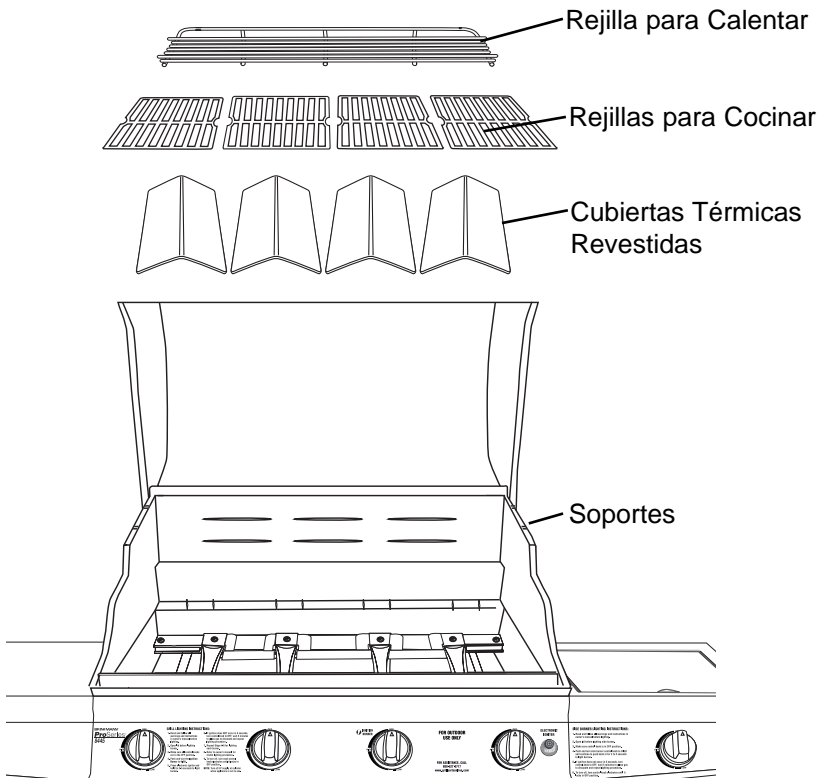
Paso 17

Conecte el cable conductor del encendedor de la hornilla lateral al electrodo, tal como se ilustra.

Paso 18

Coloque la rejilla de la hornilla lateral sobre la mesa de la hornilla lateral.





Paso 19

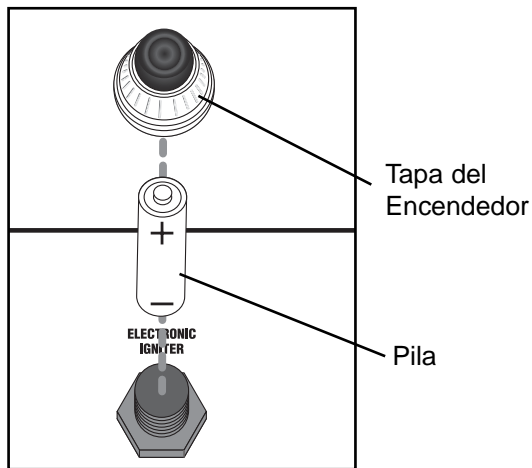
Coloque las placas de distribución de calor en el nivel inferior de la caja de la parrilla, directamente sobre las hornillas.

Paso 20

Coloque las rejillas para cocinar sobre las costillas de apoyo directamente sobre las placas de distribución de calor.

Paso 21

Inserte la rejilla para calentar sobre los soportes de la parrilla, de modo que quede asentada sobre las rejillas para cocinar.



Paso 22

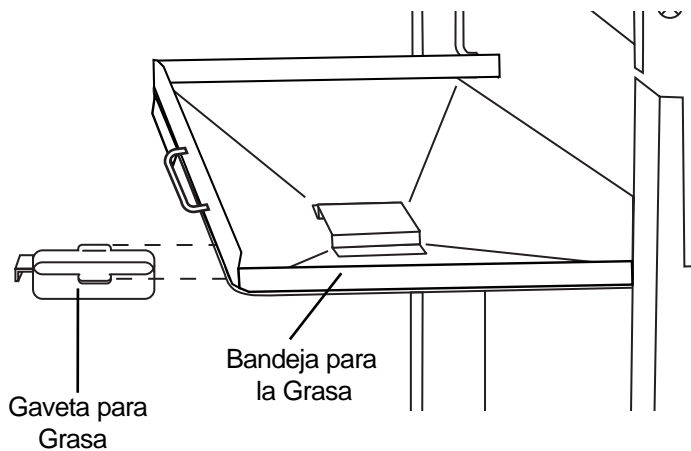
Remueva la tapa del encendedor y coloque la pila con el extremo positivo hacia la tapa. Verifique que el resorte está en posición dentro de la tapa del encendedor. Coloque nuevamente la tapa y verifique que el encendedor esta funcionando correctamente.

Paso 23

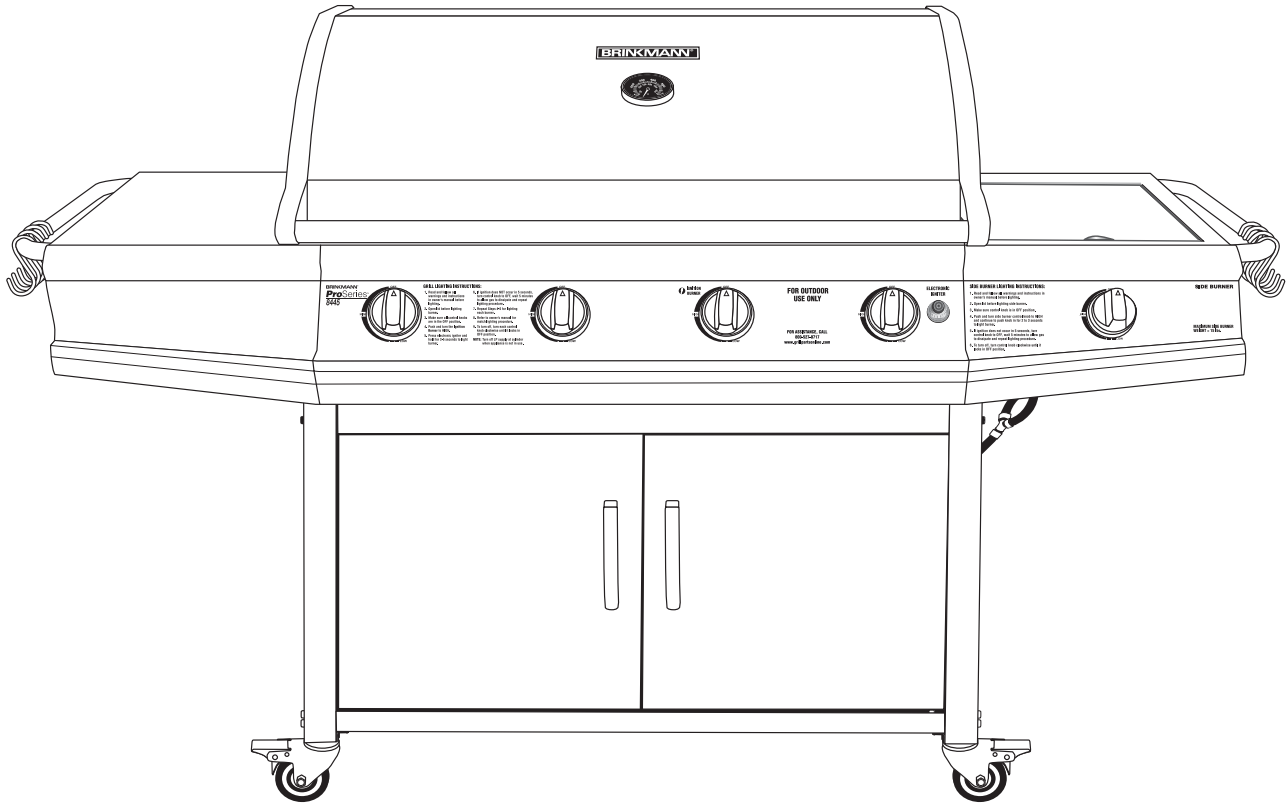
Inserte la bandeja de grasa en la abertura en el lado trasero de la parrilla. Asegúrese de deslizar la bandeja sobre los rieles.

Paso 24

Inserte gaveta para grasa dentro de la bandeja de grasa. Resbale la gaveta en los vestigios como ilustrado.



ProSeries™ 8445 (Armada)



FOR COVERS, ACCESSORIES AND OTHER PRODUCTS, PLEASE VISIT US ONLINE AT:
www.brinkmann.net

FOR GRILL WARRANTY REPLACEMENT PARTS, PLEASE VISIT US AT:
www.grillpartsonline.com

PARA CUBIERTAS, ACCESORIOS Y OTROS PRODUCTOS, FAVOR DE VISITARNOS POR LA RED
MUNDIAL EN: www.brinkmann.net

PARA PARTES DE REEMPLAZO DE PARRILLA BAJO GARANTIA, FAVOR DE VISITARNOS POR LA RED
MUNDIAL EN: www.grillpartsonline.com

WARRANTY

The Brinkmann Corporation warrants to the original purchaser that the Brinkmann ProSeries™ 8445 is free from defects due to workmanship or materials for:

- Stainless Steel parts - Lifetime
- Electronic ignition and burners - 2 Year
- Remaining parts - 2 Year

The Brinkmann Corporation's obligations under this warranty are limited to the following guidelines:

- This warranty does not cover grills that have been altered/modified or damaged due to: normal wear, rust, abuse, improper maintenance and/or improper use.
- This warranty does not cover surface scratches, rust or heat damage to the finish, which is considered normal wear.
- The Brinkmann Corporation may elect to repair or replace damaged units covered by the terms of this warranty.
- This warranty extends to the original purchaser only and is not transferable or assignable to subsequent purchasers.

The Brinkmann Corporation requires reasonable proof of purchase. Therefore, we strongly recommend that you retain your sales receipt or invoice. To obtain replacement parts for your Brinkmann ProSeries™ 8445 under the terms of this warranty, please call Customer Service Department at 800-527-0717. **A receipt will be required. The Brinkmann Corporation will not be responsible for any grills forwarded to us without prior authorization.**

EXCEPT AS ABOVE STATED, THE BRINKMANN CORPORATION MAKES NO OTHER EXPRESS WARRANTY.

THE IMPLIED WARRANTIES OF MERCHANTABILITY AND FITNESS FOR A PARTICULAR PURPOSE ARE LIMITED IN DURATION TO THOSE LISTED ABOVE FROM THE DATE OF PURCHASE. SOME STATES DO NOT ALLOW LIMITATIONS ON HOW LONG AN IMPLIED WARRANTY LASTS, SO THE ABOVE LIMITATION MAY NOT APPLY TO YOU.

ANY LIABILITY FOR INDIRECT, INCIDENTAL OR CONSEQUENTIAL DAMAGES ARISING FROM THE FAILURE OF THE BRINKMANN PROSERIES™ 8445 TO COMPLY WITH THIS WARRANTY OR ANY IMPLIED WARRANTY IS EXCLUDED. CUSTOMER ACKNOWLEDGES THAT THE PURCHASE PRICE CHARGED IS BASED UPON THE LIMITATIONS CONTAINED IN THE WARRANTY SET OUT ABOVE. SOME STATES DO NOT ALLOW THE EXCLUSION OR LIMITATION OF INCIDENTAL OR CONSEQUENTIAL DAMAGES, SO THE ABOVE LIMITATION OR EXCLUSION MAY NOT APPLY TO YOU. THIS WARRANTY GIVES YOU SPECIFIC LEGAL RIGHTS, AND YOU MAY ALSO HAVE OTHER RIGHTS WHICH VARY FROM STATE TO STATE.

GARANTÍA

The Brinkmann Corporation garantiza al comprador original que la parrilla Brinkmann ProSeries™ 8445 está libre de defectos de materiales o mano de obra:

- Piezas de acero inoxidable – garantía de por vida
- Encendedor electrónico y hornillas – 2 años de garantía
- El resto de las piezas – 2 años de garantía

Las obligaciones de The Brinkmann Corporation con respecto a esta garantía se limitan a lo siguiente:

- Esta garantía no cubre parrillas que hayan sido alteradas/modificado o dañadas debido a: uso normal, herrumbre, maltrato, mantenimiento inadecuado y/o uso inapropiado.
- Esta garantía no cubre rayones superficiales, daño por herrumbre o por calor al acabado, lo cual se considera como uso normal.
- The Brinkmann Corporation puede decidir reparar o reemplazar las unidades dañadas cubiertas bajo los términos de esta garantía.
- Esta garantía se otorga al comprador original únicamente y no es transferible o asignable a los compradores posteriores.

The Brinkmann Corporation exige un comprobante de compra razonable. Por lo tanto, le recomendamos enfáticamente que retenga su recibo o factura de venta. Para obtener partes de repuesto para la parrilla Brinkmann ProSeries™ 8445 bajo los términos de esta garantía, sírvase contactar al Departamento de Servicio al Cliente al 800-527-0717. **Se exigirá la presentación de un recibo. The Brinkmann Corporation no será responsable de ninguna parrilla devuelta a nosotros sin autorización previa.**

EXCEPTO POR LO INDICADO ARRIBA, THE BRINKMANN CORPORATION NO OTORGA NINGUNA OTRA GARANTÍA EXPRESA.

LAS GARANTÍAS IMPLÍCITAS DE COMERCIABILIDAD Y ADECUACIÓN CON UN FIN EN PARTICULAR SON DE DURACIÓN LIMITADA DE ACUERDO A LO INDICADO ARRIBA A PARTIR DE LA FECHA DE COMPRA. ALGUNOS ESTADOS NO PERMITEN LIMITACIONES DE DURACIÓN DE UNA GARANTÍA IMPLÍCITA; POR LO TANTO, LA LIMITACIÓN ANTERIOR PODRÍA NO SER APLICABLE EN SU CASO.

SE EXCLUYE CUALQUIER RESPONSABILIDAD POR DAÑOS INDIRECTOS, INCIDENTALES O CONSIGUIENTES DERIVADOS DE LA FALTA DE CUMPLIMIENTO DE ESTA GARANTÍA O DE CUALQUIER GARANTÍA IMPLÍCITA DE BRINKMANN PROSERIES™ 8445. EL CLIENTE RECONOCE QUE EL PRECIO DE COMPRA COBRADO SE BASA EN LAS LIMITACIONES CONTENIDAS EN LA GARANTÍA ANTERIOR. ALGUNOS ESTADOS NO PERMITEN LA EXCLUSIÓN O LIMITACIÓN DE LOS DAÑOS INCIDENTALES O CONSIGUIENTES; POR LO TANTO, LA LIMITACIÓN O EXCLUSIÓN ANTERIOR PODRÍA NO SER APLICABLE EN SU CASO. ESTA GARANTÍA LE OTORGA DERECHOS LEGALES ESPECÍFICOS Y USTED PUEDE TENER ADEMÁS OTROS DERECHOS QUE VARÍAN DE UN ESTADO A OTRO.